

ELVITO DISPLAY



**INNOVATING
DISPLAY
SOLUTIONS.**

ABOUT COMPANY

INNOVATING DISPLAY SOLUTIONS.

At ELVITO Display, we are dedicated to crafting innovative display stands specifically designed for the ceramic and tile industry. Our solutions are focused on enhancing product presentation, allowing clients to showcase their tiles in the most appealing and impactful way possible.

COMMITMENT TO QUALITY

Quality is at the heart of everything we do. Each display stand is crafted with precision using premium materials, ensuring durability, longevity, and ease of use. Our products are built to withstand the demands of high-traffic areas while maintaining their sleek appearance.

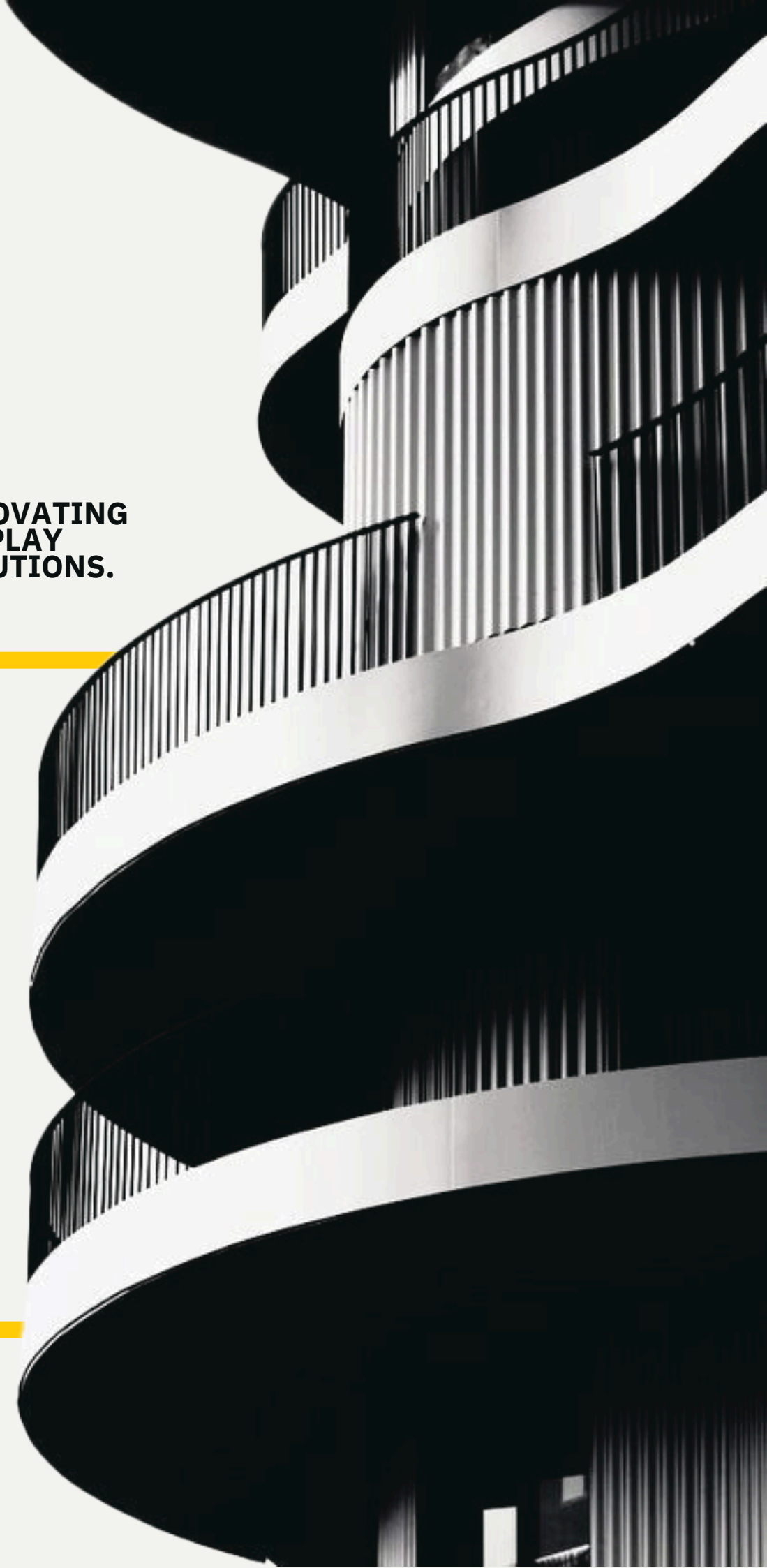
CUSTOMIZATION AND AESTHETIC APPEAL

We offer customized display solutions that not only meet functional needs but also elevate the aesthetics of any showroom or exhibition space. Our stands are designed to blend seamlessly with various environments, making tiles and products the true centerpiece.

ELEVATING PRODUCT PRESENTATION

At ELVITO display, we believe that product presentation is an art. Our expertly designed display stands help businesses create an immersive experience, allowing their products to shine and attract attention in both retail and exhibition spaces.

INNOVATING DISPLAY SOLUTIONS.



**INNOVATING
DISPLAY SOLUTIONS.**



ON TOP OF DISPLAY INDUSTRIES

INNOVATING PRODUCT PRESENTATION

Welcome to ELVITO Display, where we redefine how tiles and ceramics are displayed. Our display solutions are crafted with the perfect balance of function, durability, and modern design to enhance product visibility.

DISCOVER EXCELLENCE

As you explore our catalog, you'll find a diverse range of display options, all designed to meet the unique needs of the ceramic and tile industry. From wall-mounted to freestanding and custom-made stands, we are proud to offer solutions that combine aesthetics, durability, and practicality.

OUR VISION

At Elvito Display Stand, we specialize in designing and manufacturing high-quality display solutions for tiles and sanitaryware showrooms. With a strong focus on durability, modern design, and space optimization, our stands are crafted to enhance product presentation and elevate showroom aesthetics.

We understand the needs of the ceramic and sanitary industry, and our goal is to provide innovative display systems that help businesses showcase their products in the most effective and attractive way. From tile display racks to sanitaryware stands, every product is built with precision and premium materials.

At Elvito, we believe in combining functionality with style — helping our clients create impactful showroom experiences.

TABLE OF SERIES

- 01 SLIDER SERIES**
- 02 BOOKLATE SERIES**
- 03 FULL REVOLVE SERIES**
- 04 TILES SET SERIES**
- 05 SLAB SERIES**
- 06 STEP AND RISER SERIES**
- 07 WOODEN PLANK SERIES**
- 08 SANATREY SIRES |**
- 09 MINIATURE SERIES**
- 10 SMALL STAND SERIES 11**
- COMMERCIAL RACKS**



+919099332569

SLIDER



SLIDER Series by ELVITO Display presents a cutting-edge range of tile display stands designed to elevate the visibility and impact of your tile collections. Ideal for showrooms and exhibitions, these stands offer a clear, full view of each tile, providing customers with an immersive and detailed product experience. Featuring a sleek, space-efficient design, the SLIDER Series is perfect for maximizing display options in compact spaces, while its durable construction ensures smooth operation and longevity. With customizable finishes and adaptable configurations, the SLIDER Series blends functionality with stylish presentation, making your tiles the centerpiece of any display.

**SLIDER
SERIES**

**SLIDER
SERIES**

SDP 001



STANDSIZE
4070 X 990X2770 (LWH)

TILES THICKNESS
9 MM
NUMBER OF PANELS

20
NUMBER OF DISPLAY
40

SIZE OF TILES

**300 X 300 400 X 400 MM 300 X 600 MM 600 X 600 MM
600 X 1200 MM 1200 X 1200 MM 1200 X 2400 MM (AS PER REQ.)**

**PRODUCT
DETAILS**

TYPE
MS PIPE

OUTERBODYSTRUCTURE PIPE
80 X 40 X 1.6 MM

PANEL PIPE
50 X 25 X 1.2 MM

COATING
POWDER COATING

WEIGHT
1.5 TOP (APPROX)

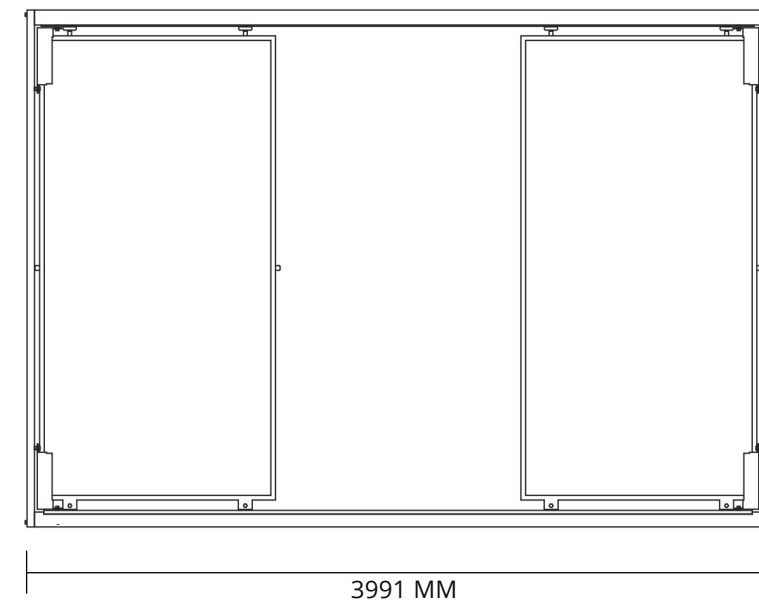
SLIDER SERIES



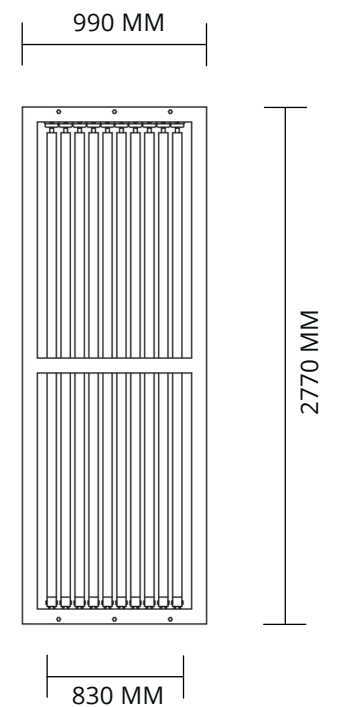
AVAILABLE COLORS



FRONT
VIEW



SIDE
VIEW



**SLIDER
SERIES**
SDP 002



STANDSIZE
4070 X 1296X 2770 (LWH)

TILES THICKNESS
9 MM

NUMBER OF PANELS

20

NUMBER OF DISPLAY

20

SIZE OF TILES

**300 X 300 400 X 400 MM 300 X 600 MM 600 X 600 MM
600 X 1200 MM 1200 X 1200 MM 1200 X 2400 MM (AS PER REQ.)**

**PRODUCT
DETAILS**

TYPE
MS PIPE

OUTERBODYSTRUCTURE PIPE
80 X 40 X 1.6 MM

PANEL PIPE
50 X 25 X 1.2 MM

COATING
POWDER COATING

WEIGHT
1.3 TOP (APPROX)

SLIDER SERIES

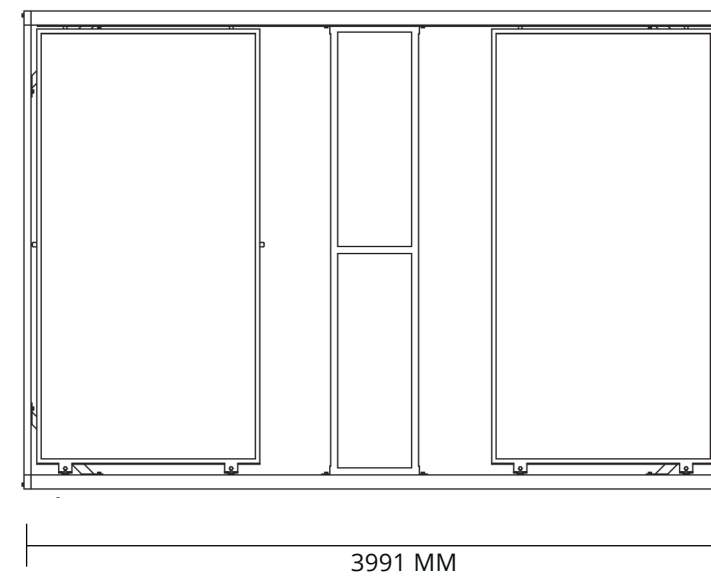
SDP 002



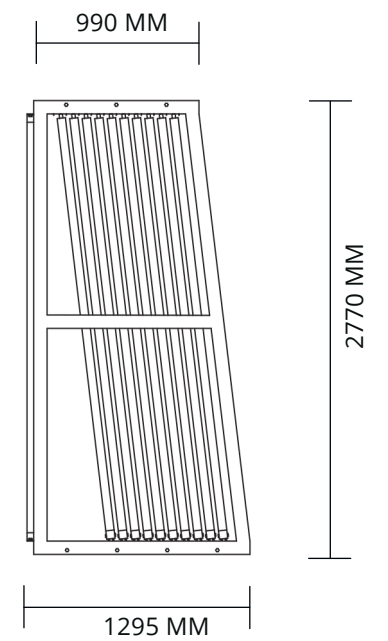
AVAILABLE COLORS



FRONT
VIEW



SIDE
VIEW



**SLIDER
SERIES**
SDP 003



STANDSIZE
5600 X 990X2790 (LWH)

TILES THICKNESS
9 MM

NUMBER OF PANELS

30

NUMBER OF DISPLAY

30

SIZE OF TILES

**600 X 1200 MM, 800 X 1600 MM, 1200 X 1800 MM,
1200 X 2400 MM (AS PER REQUIREMENT)**

**PRODUCT
DETAILS**

TYPE
MS PIPE

OUTERBODYSTRUCTURE PIPE
80 X 40 X 1.6 MM

PANEL PIPE
32 X 32 X 1.4 MM

COATING
POWDER COATING

WEIGHT
1 TON (APPROX)

SLIDER SERIES

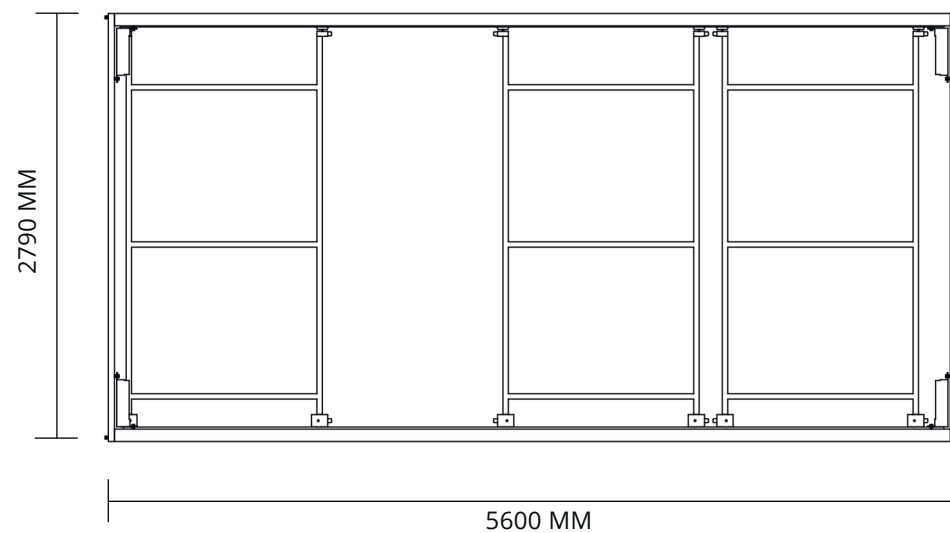
SDP 003



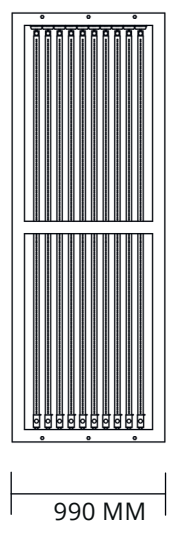
AVAILABLE COLORS



FRONT
VIEW

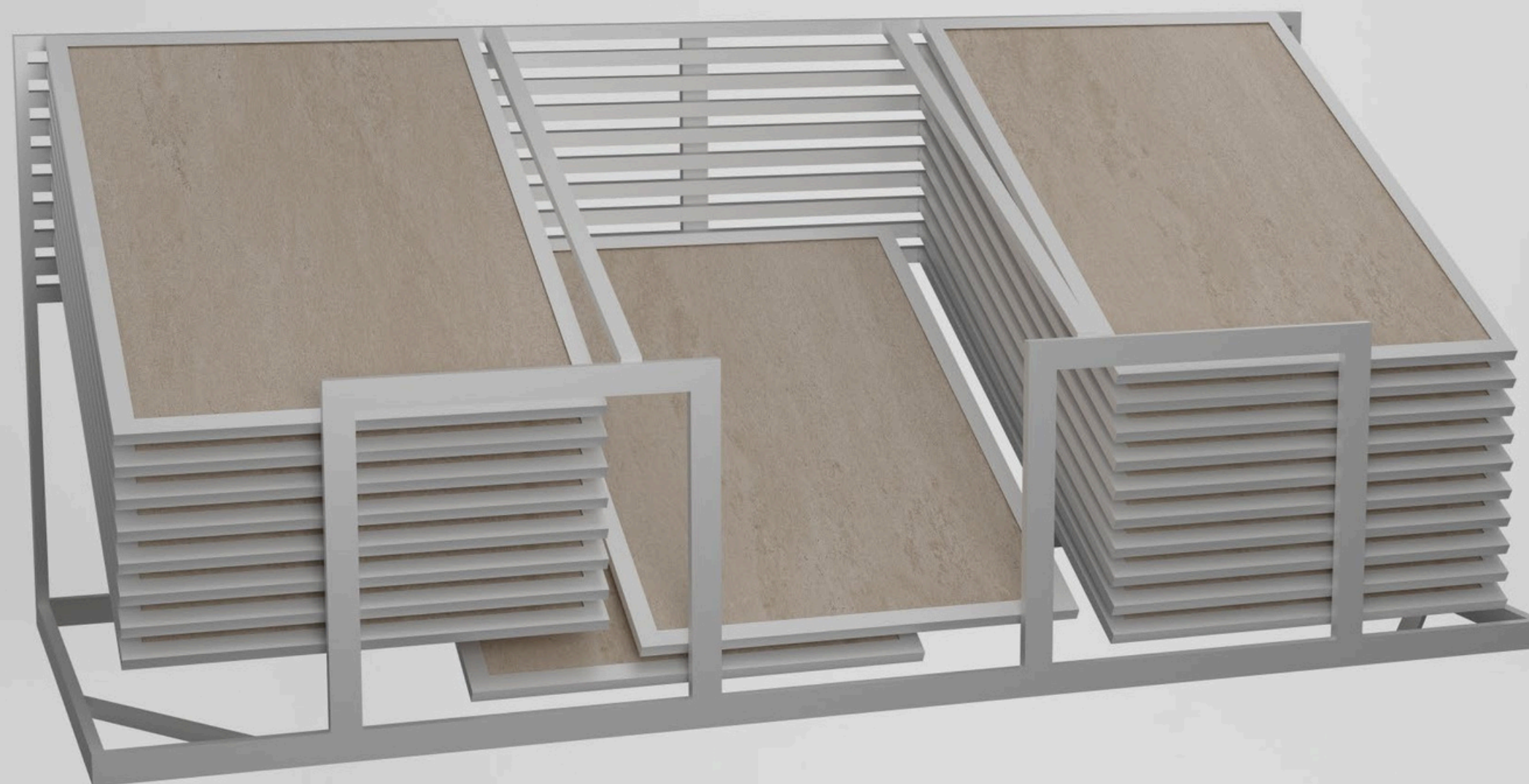


SIDE
VIEW



**SLIDER
SERIES**

SDP 004



STANDSIZE
5600 X 990X2790 (LWH)

TILES THICKNESS
9 MM

NUMBER OF PANELS

20

NUMBER OF DISPLAY

20

SIZE OF TILES

**600 X 1200 MM, 800 X 1600 MM, 1200 X 1800 MM,
1200 X 2400 MM (AS PER REQUIREMENT)**

**PRODUCT
DETAILS**

TYPE
MS PIPE

OUTERBODYSTRUCTURE PIPE
50X25X1.6 MM

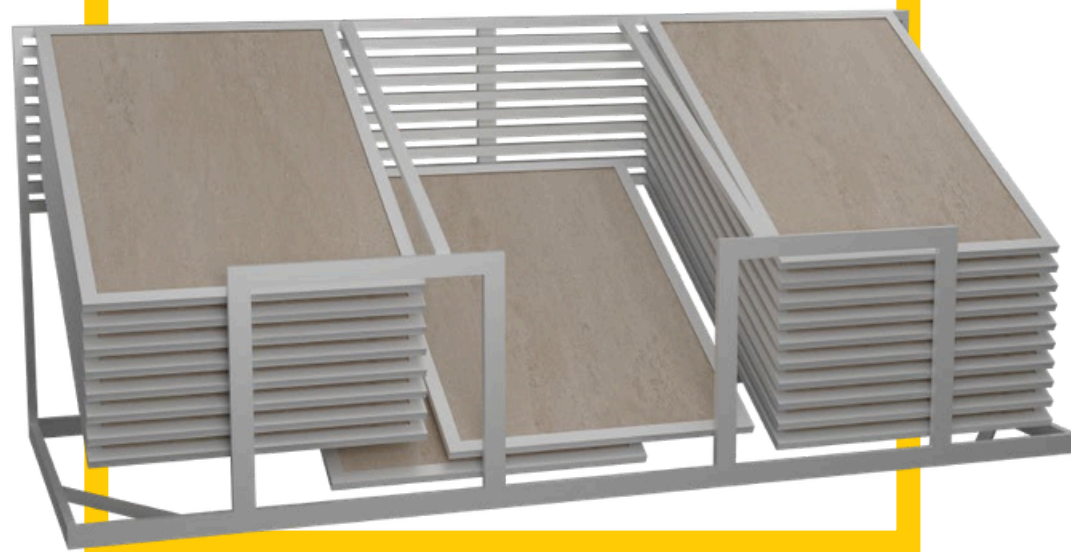
PANEL PIPE
32 X 32 X 1.4 MM

COATING
POWDER COATING

WEIGHT
1 TON (APPROX)

SLIDER SERIES

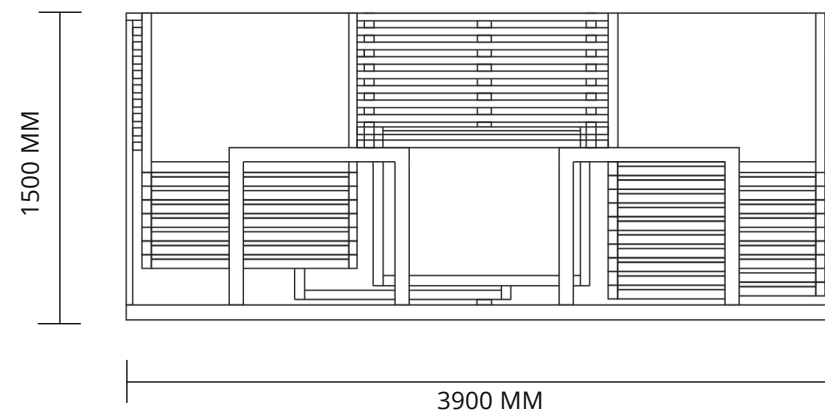
SDP 004



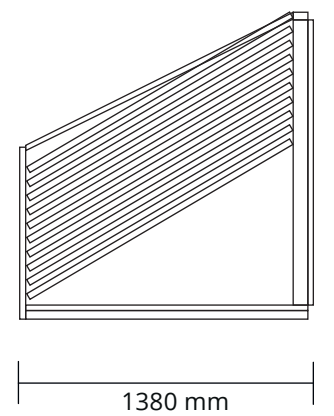
AVAILABLE COLORS



FRONT
VIEW



SIDE
VIEW





**SLIDER
SERIES**
SDP 005



STANDSIZE
5600 X 990X2790 (LWH)

TILES THICKNESS
9 MM

NUMBER OF PANELS

30

NUMBER OF DISPLAY

30

SIZE OF TILES

**600 X 1200 MM, 800 X 1600 MM, 1200 X 1800 MM,
1200 X 2400 MM (AS PER REQUIREMENT)**

**PRODUCT
DETAILS**

TYPE
MS PIPE

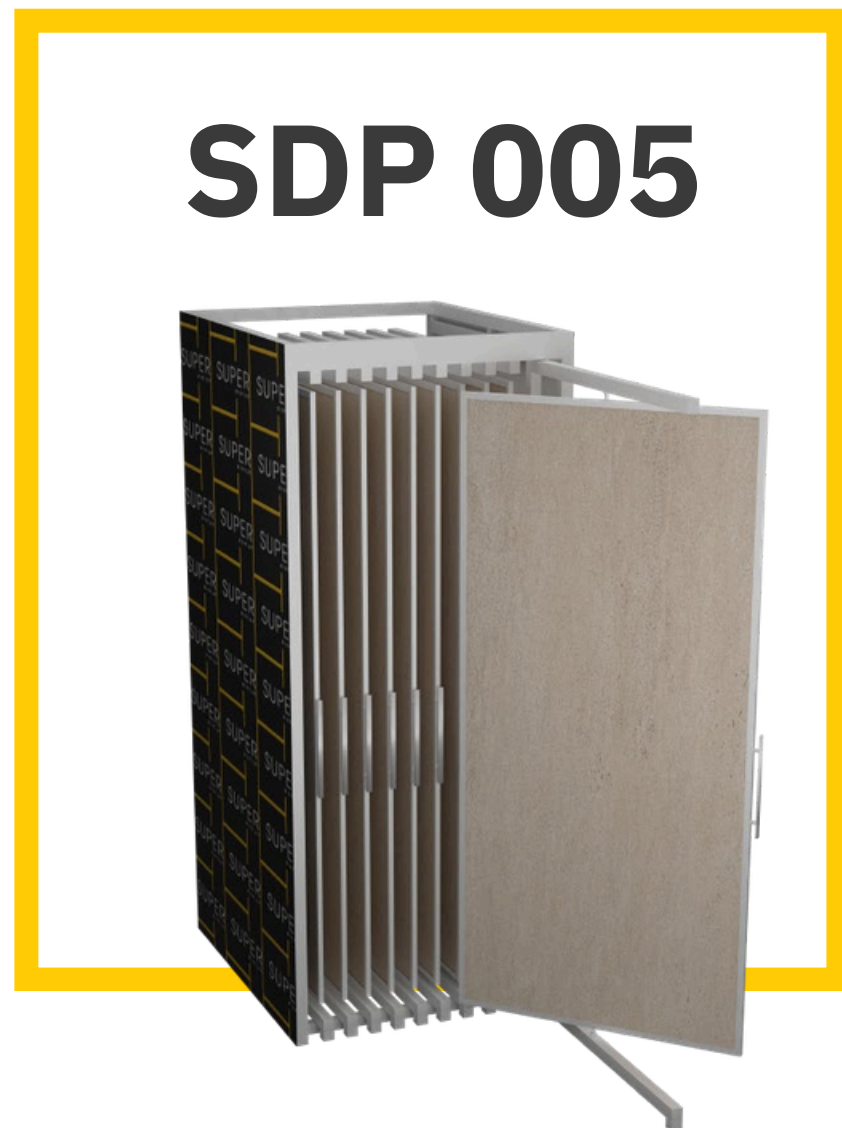
OUTERBODYSTRUCTURE PIPE
80 X 40 X 1.6 MM

PANEL PIPE
32 X 32 X 1.4 MM

COATING
POWDER COATING

WEIGHT
1 TON (APPROX)

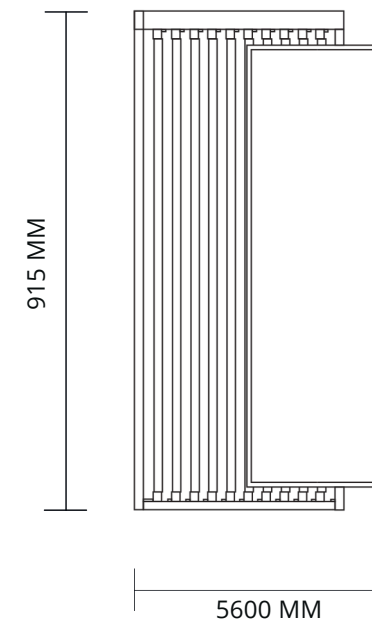
SLIDER SERIES



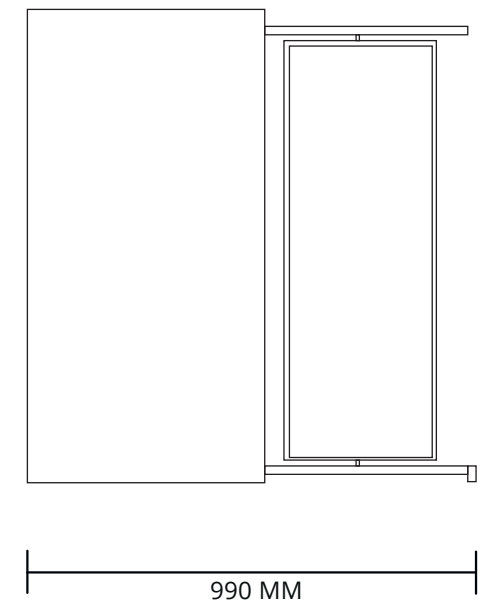
AVAILABLE COLORS



FRONT
VIEW



SIDE
VIEW



**SLIDER
SERIES**

SDP 006



STANDSIZE
2744 X 1524X 1220(LWH)

TILES THICKNESS
9 MM

NUMBER OF PANELS

10

NUMBER OF DISPLAY

10

SIZE OF TILES

(AS PER REQUIREMENT)

**PRODUCT
DETAILS**

TYPE
MS PIPE

OUTERBODYSTRUCTURE PIPE
80 X 40 X 1.6 MM

PANEL PIPE
915 X 458 MM

COATING
POWDER COATING

WEIGHT

100 KG

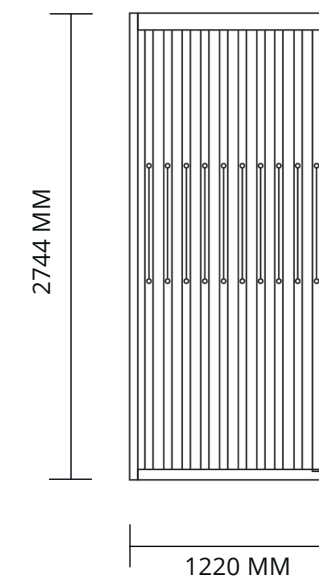
SLIDER SERIES



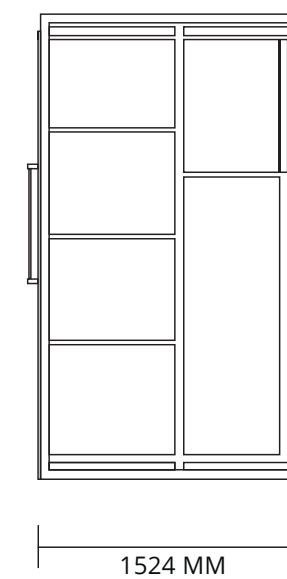
AVAILABLE COLORS



FRONT
VIEW



SIDE
VIEW



BOOKLET



The Booklet Series by ELVITO Display, a range of compact and stylish brochure stands designed to present your product catalogs, brochures, and information booklets with elegance and ease. Perfect for showrooms, exhibitions, or client presentations, these stands provide an organized and professional way to display printed materials, ensuring that customers can easily access all the details they need. The sleek, modern design complements any space, while the durable construction guarantees long-lasting performance. With customizable finishes and versatile layouts, the Booklet Series enhances your marketing materials, making them both visually appealing and highly functional.

**BOOKLET
SERIES**



**BOOKLET
SERIES**

SDP 007



STANDSIZE
1375 X 710X2195 (LWH)

SIZE OF TILES
600 X 1200 MM
NUMBER OF TILES

20
TILES THICKNESS

09 MM

**PRODUCT
DETAILS**

TYPE
MS PIPE

OUTERBODYSTRUCTURE PIPE
50 X 50 MM

PLATETHICKNESS
1.2 MM

COATING
POWDER COATING

WEIGHT
50 KG (APPROX)

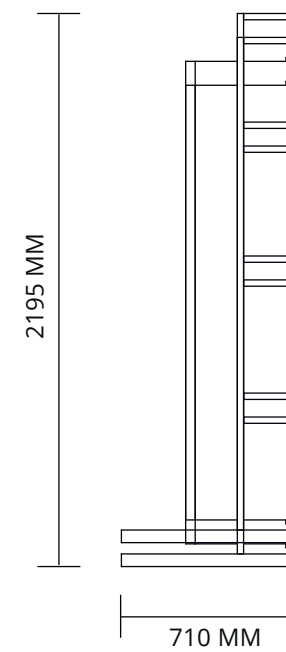
**BOOKLET
SERIES**



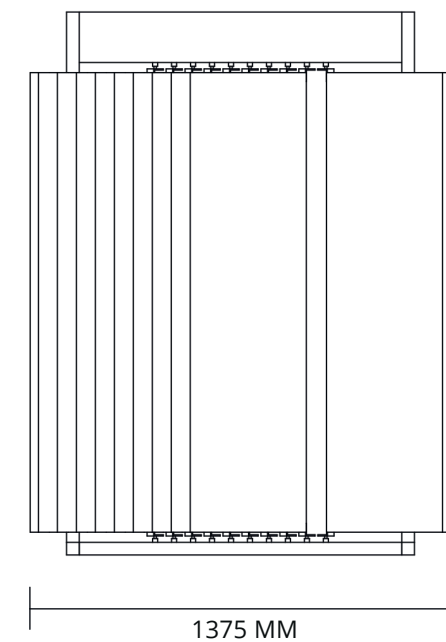
AVAILABLE COLORS



SIDE
VIEW



FRONT
VIEW





**BOOKLET
SERIES**

SDP 008



STANDSIZE
1395 X 700X2425 (LWH)

SIZE OF TILES
600 X 600 MM

NUMBER OF TILES

60

TILES THICKNESS

09 MM

**PRODUCT
DETAILS**

TYPE
MS PIPE

OUTERBODYSTRUCTURE PIPE
50 X 50 MM

PLATETHICKNESS
1.2 MM

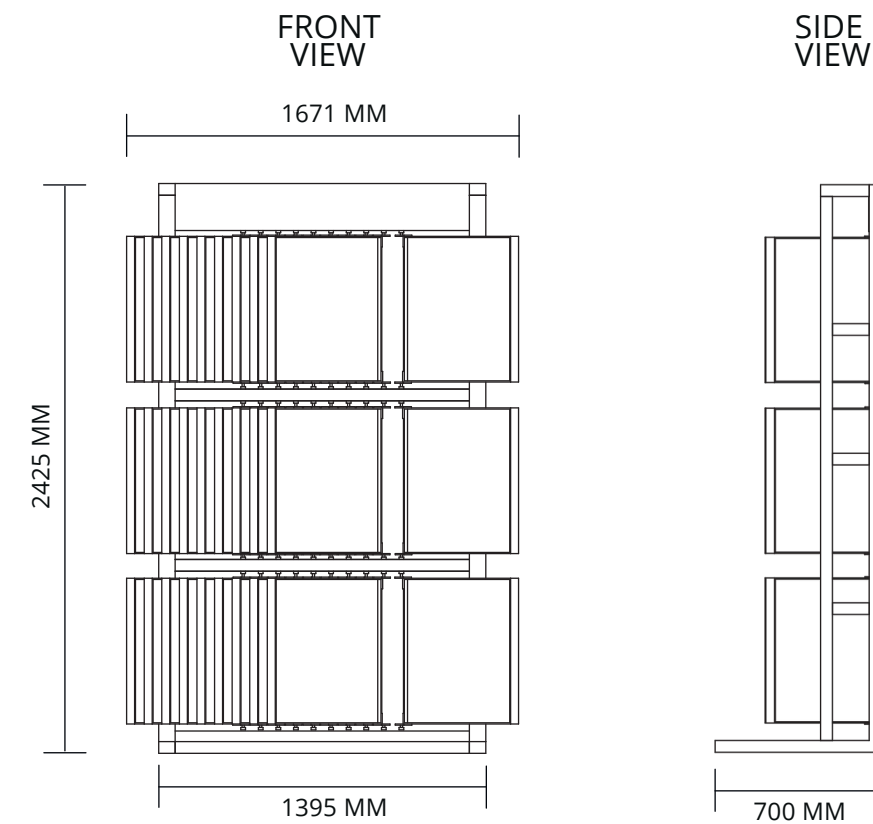
COATING
POWDER COATING

WEIGHT
50 KG (APPROX)

BOOKLET SERIES



AVAILABLE COLORS



ELVITO
DISPLAY



**BOOKLET
SERIES**

SDP 009



STANDSIZE
1395 X 700X2425 (LWH)

SIZE OF TILES
600 X 600 / 600 X 1200

NUMBER OF TILES

40

TILES THICKNESS

09 MM

**PRODUCT
DETAILS**

TYPE
MS PIPE

OUTERBODYSTRUCTURE PIPE
50 X 50 MM

PLATETHICKNESS
1.2 MM

COATING
POWDER COATING

WEIGHT
80 KG (APPROX)

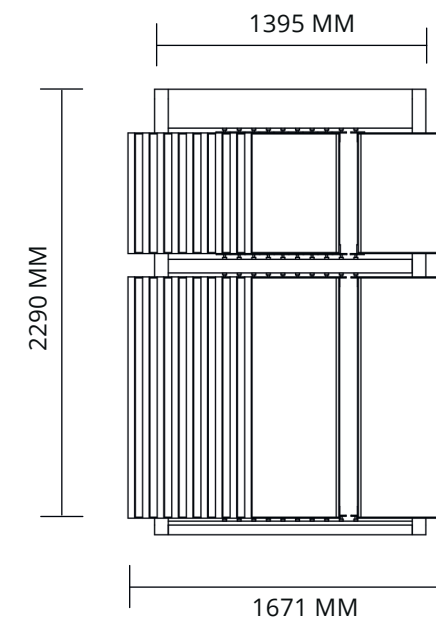
BOOKLET SERIES



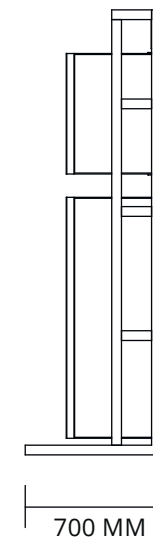
AVAILABLE COLORS



FRONT
VIEW



SIDE
VIEW



ELVITO
DISPLAY

**BOOKLET
SERIES**

SDP 010



STANDSIZE
1395 X 700X2290 (LWH)

SIZE OF TILES
300 X 600

NUMBER OF TILES

40

TILES THICKNESS

09 MM

**PRODUCT
DETAILS**

TYPE
MS PIPE

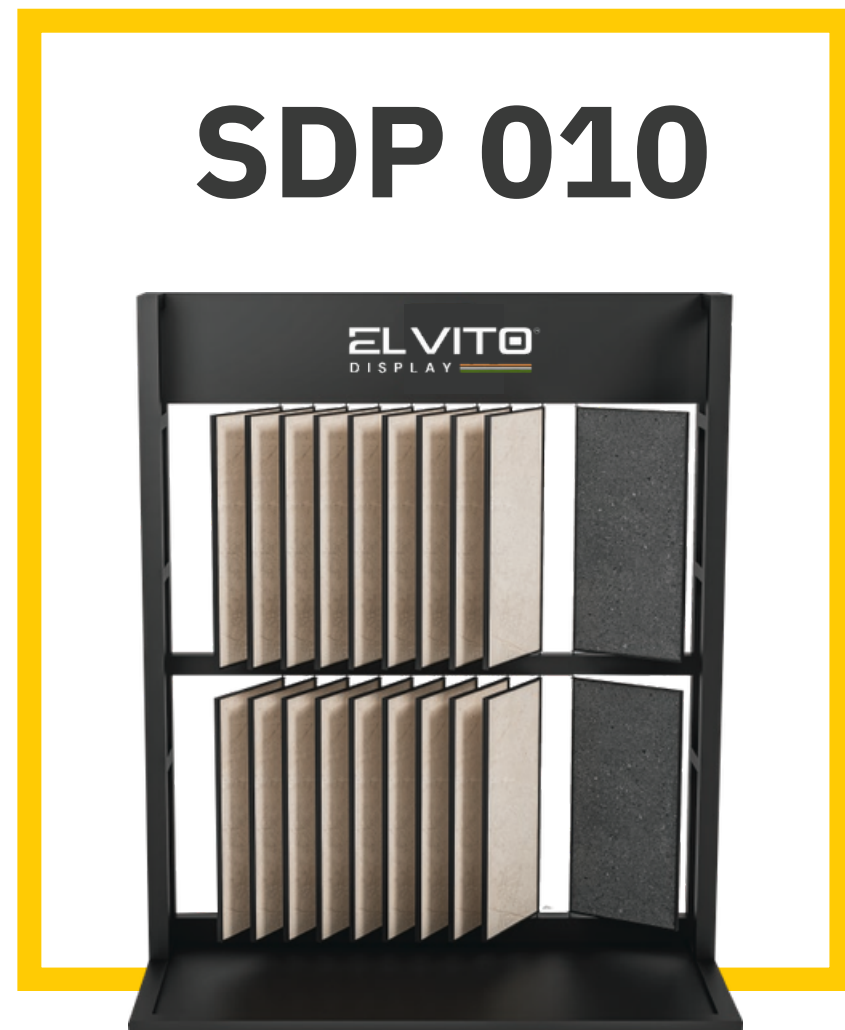
OUTERBODYSTRUCTURE PIPE
50 X 50 MM

PLATETHICKNESS
1.2 MM

COATING
POWDER COATING

WEIGHT
80 KG (APPROX)

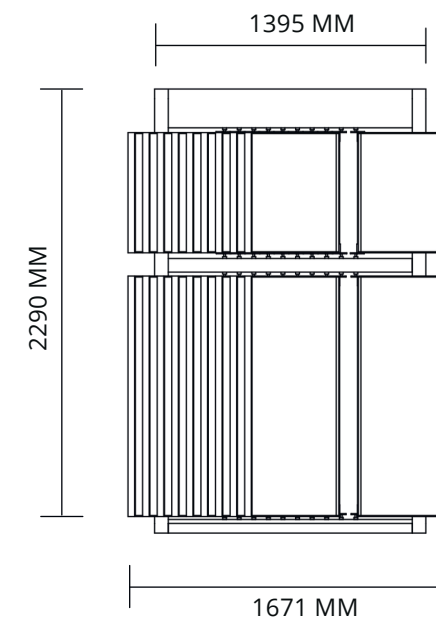
BOOKLET SERIES



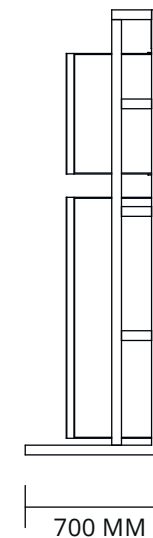
AVAILABLE COLORS



FRONT
VIEW



SIDE
VIEW



**BOOKLET
SERIES**

SDP 011



STANDSIZE
1251 X 4298X 2710 (LWH)

SIZE OF TILES
1200 X 2400 MM

NUMBER OF TILES

20

NUMBER OF DISPLAY

40

TILES THICKNESS

09 MM

**PRODUCT
DETAILS**

TYPE
MS PIPE

OUTERBODYSTRUCTURE PIPE
100 X 50 MM

PLATETHICKNESS
1.2 MM

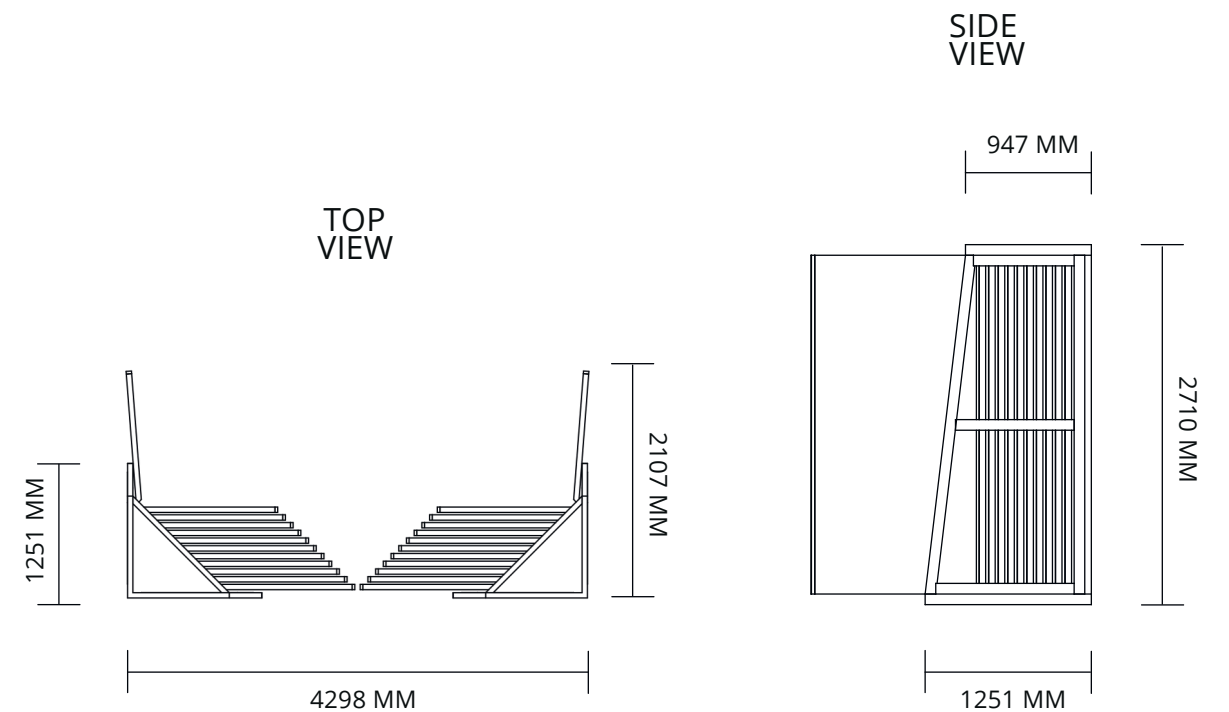
COATING
POWDER COATING

WEIGHT
80 KG (APPROX)

BOOKLET SERIES

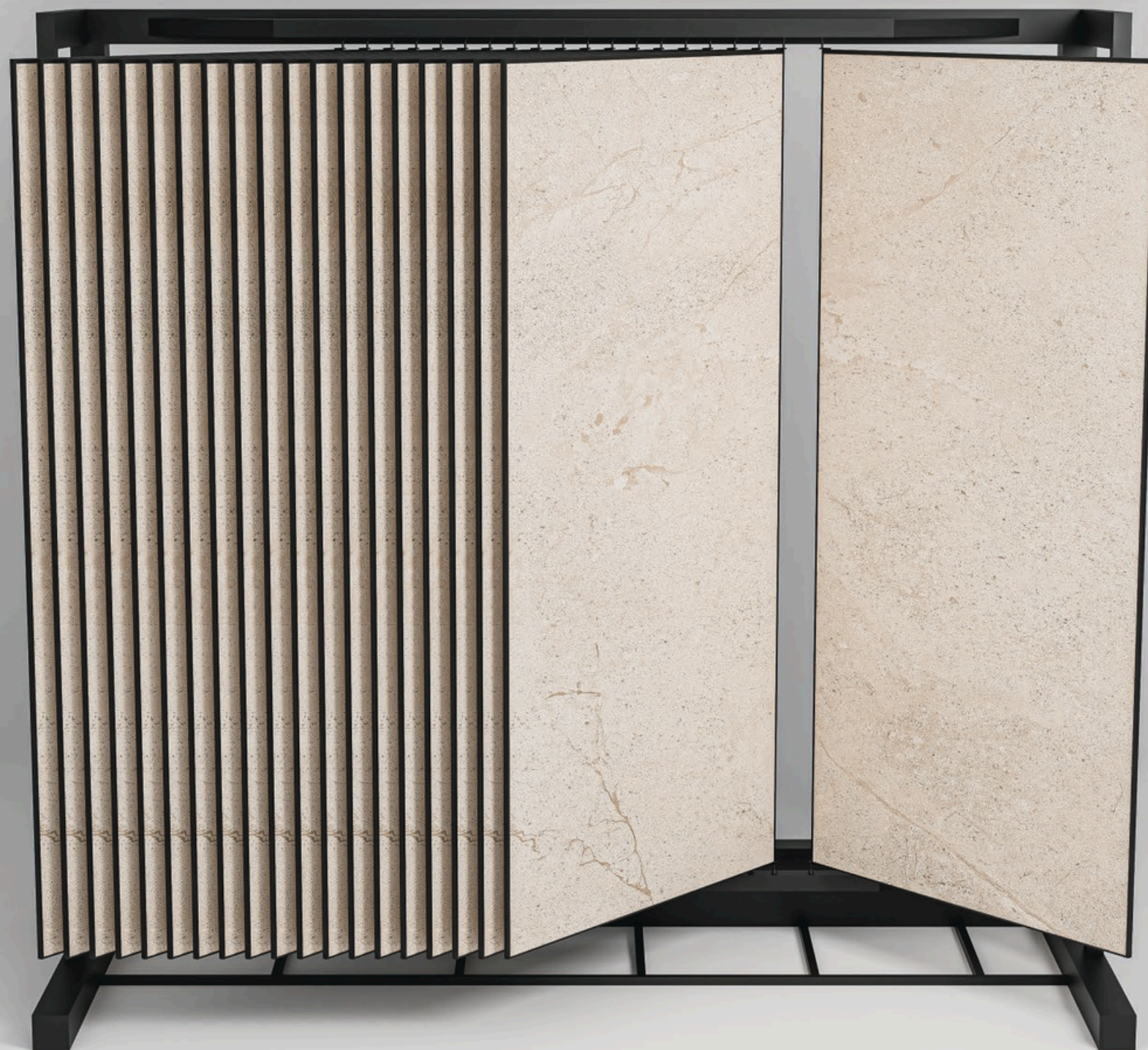


AVAILABLE COLORS



**BOOKLET
SERIES**

SDP 012



STANDSIZE
1205 X 3500X 2770 (LWH)

**PRODUCT
DETAILS**

SIZE OF TILES
**300 X 300 MM, 400 X 400 MM, 300 X 600 MM, 600 X 600 MM
600 X 1200 MM, 1200 X 1200 MM, 1200 X 2400 MM, AS PER REQU.**

NUMBER OF PANELS

20

NUMBER OF DISPLAY

40

TILES THICKNESS

09 MM

TYPE
MS PIPE

OUTERBODYSTRUCTURE PIPE
100 X 100 X 3 MM

PLATEPIPE
50 X 25 X 1.2 MM

COATING
POWDER COATING

WEIGHT
1.5 TON (APPROX)

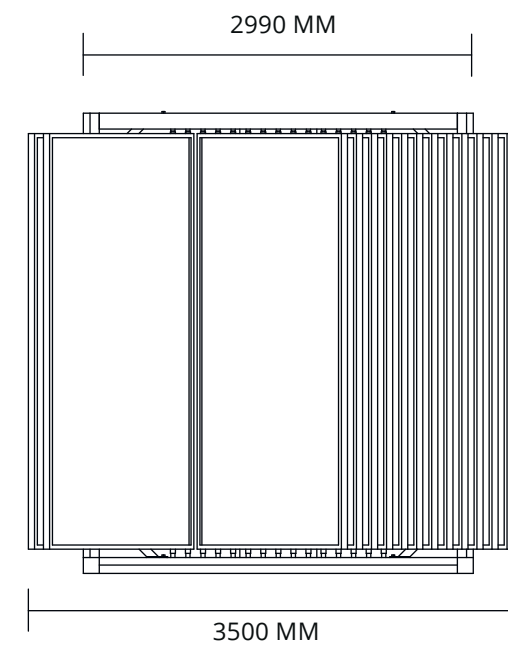
**BOOKLET
SERIES**



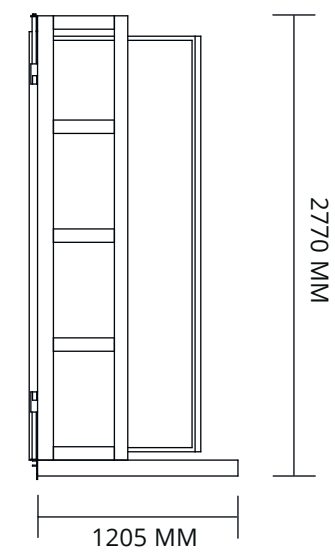
AVAILABLE COLORS



FRONT
VIEW



SIDE
VIEW



**BOOKLET
SERIES**

SDP 013



STANDSIZE
1400 X 3400X 2770 (LWH)

**PRODUCT
DETAILS**

SIZE OF TILES
**300 X 300 MM, 400 X 400 MM, 300 X 600 MM, 600 X 600 MM
600 X 1200 MM, 1200 X 1200 MM, 1200 X 2400 MM, AS PER REQU.**

NUMBER OF PANELS

20

NUMBER OF DISPLAY

40

TILES THICKNESS

09 MM

TYPE
MS PIPE

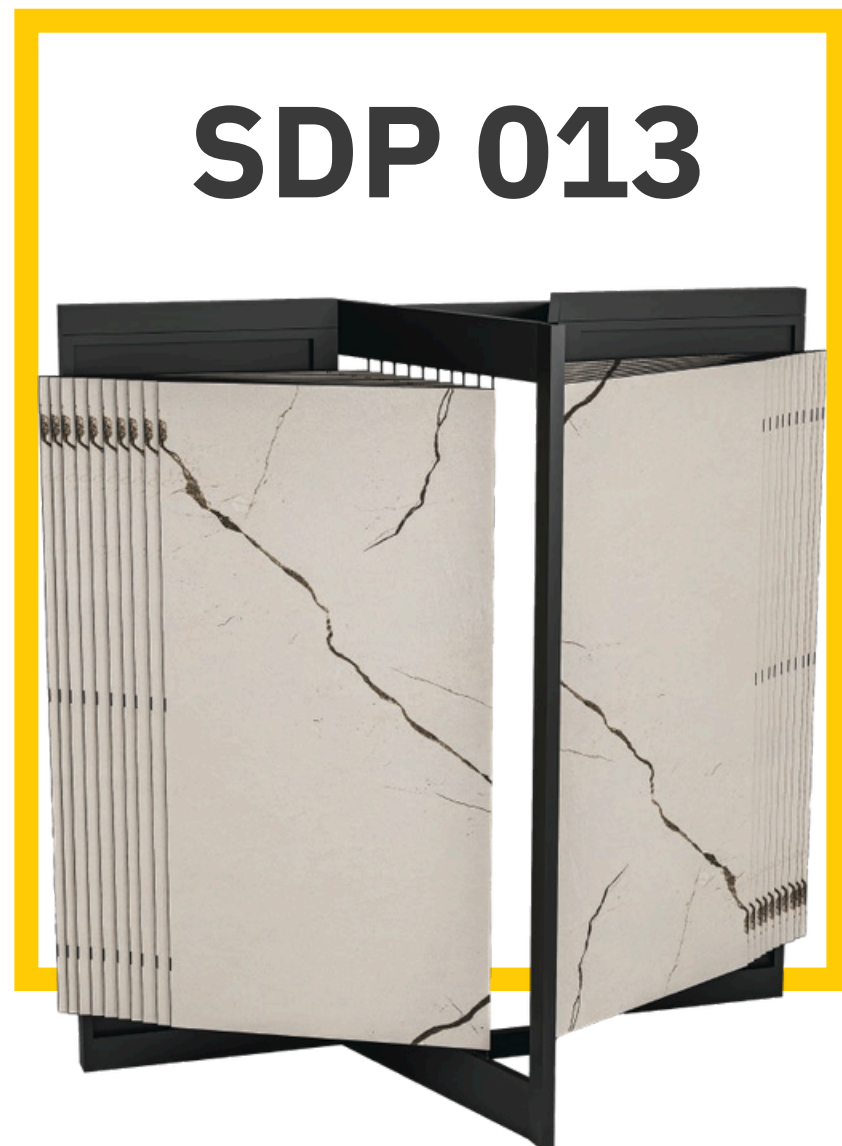
OUTERBODYSTRUCTURE PIPE
100 X 50 X 3 MM

PLATEPIPE
50 X 25 X 1.2 MM

COATING
POWDER COATING

WEIGHT
1.5 TON (APPROX)

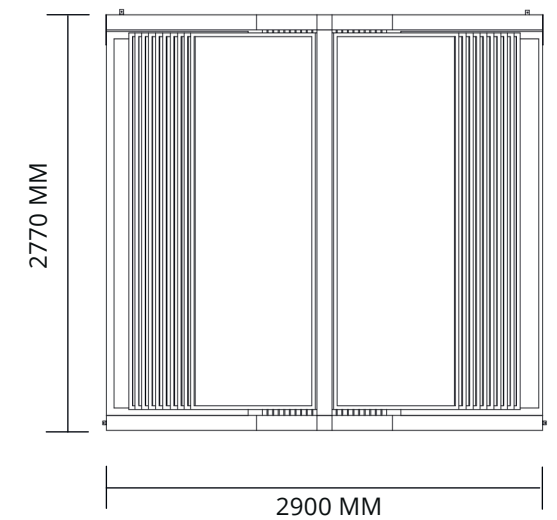
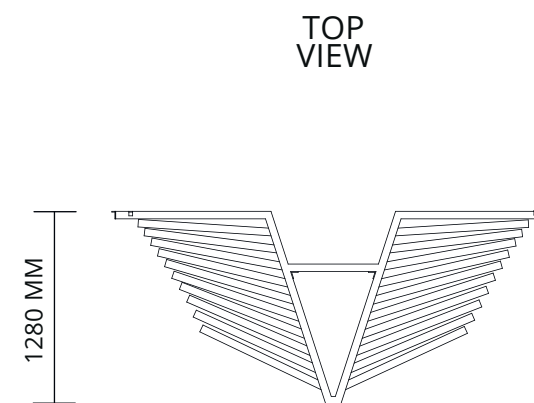
BOOKLET SERIES



AVAILABLE COLORS



FRONT
VIEW





BOOKLET
SERIES

SDP 014



STANDSIZE
1400 X 3400X 2770 (LWH)

**PRODUCT
DETAILS**

SIZE OF TILES
**300 X 300 MM, 400 X 400 MM, 300 X 600 MM, 600 X 600 MM
600 X 1200 MM, 1200 X 1200 MM, 1200 X 2400 MM, AS PER REQU.**

NUMBER OF PANELS

20

NUMBER OF DISPLAY

40

TILES THICKNESS

09 MM

TYPE
MS PIPE

OUTERBODYSTRUCTURE PIPE
50 X 50 MM

PLATEPIPE
50X 25 X 1.2 MM MM
COATING

POWDER COATING

WEIGHT
1.5 TON (APPROX)

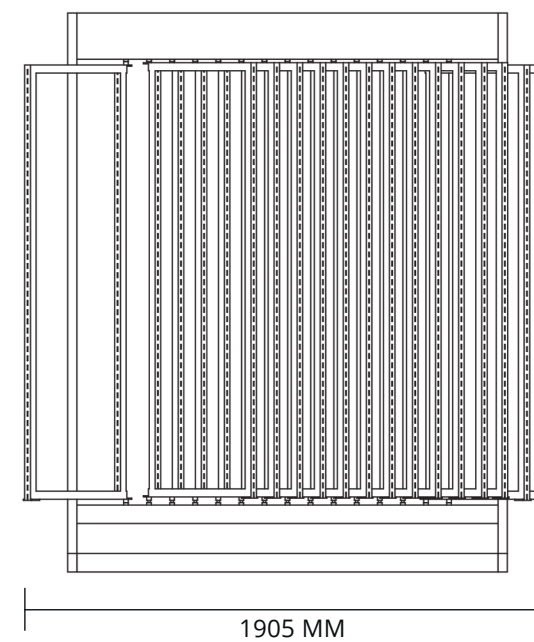
BOOKLET SERIES

AVAILABLE COLORS

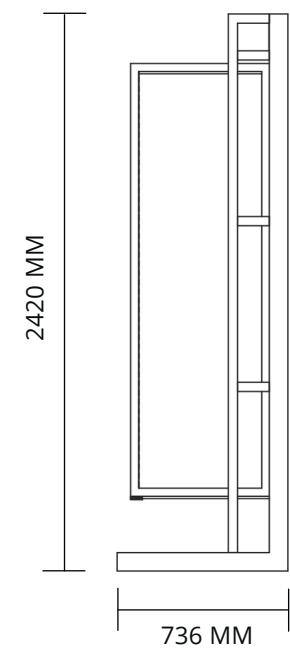


SDP 014

FRONT
VIEW



SIDE
VIEW



**BOOKLET
SERIES**

SDP 015



STANDSIZE
1400 X 3400X 2770 (LWH)

**PRODUCT
DETAILS**

SIZE OF TILES
**300 X 300 MM, 400 X 400 MM, 300 X 600 MM, 600 X 600 MM
600 X 1200 MM, 1200 X 1200 MM, 1200 X 2400 MM, AS PER REQU.**

NUMBER OF PANELS

20

NUMBER OF DISPLAY

40

TILES THICKNESS

09 MM

TYPE
MS PIPE

OUTERBODYSTRUCTURE PIPE
100 X 50 X 3 MM

PLATEPIPE
50 X 25 X 1.2 MM

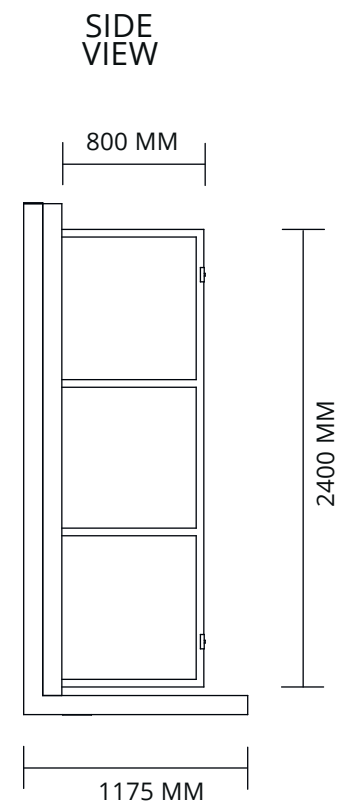
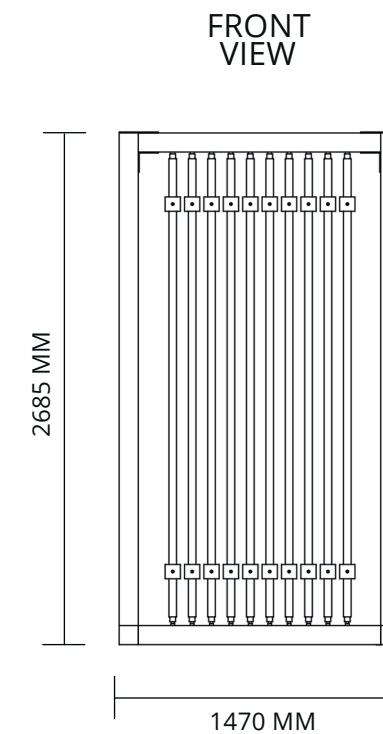
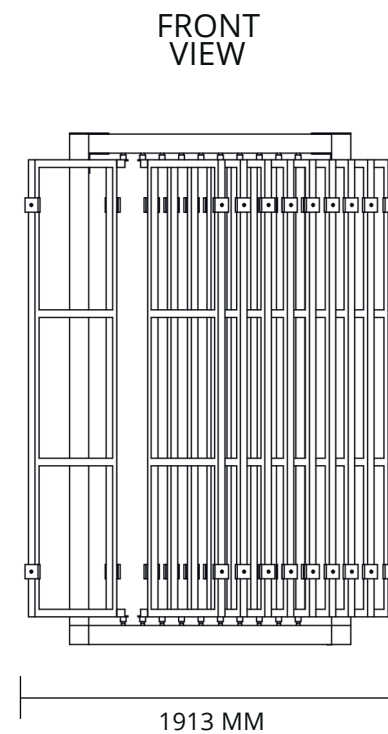
COATING
POWDER COATING

WEIGHT
1.5 TON (APPROX)

BOOKLET SERIES



AVAILABLE COLORS



REVOLVE



**COMPACT DISPLAY,
MAXIMUM IMPACT**

Full Revolve Series by ELVITO Display, a dynamic range of 360-degree rotating tile display stands, designed to give your tile collections maximum visibility and impact. Ideal for showrooms and exhibitions, these stands allow for a full view of every tile with a simple spin, offering customers a comprehensive and immersive product experience. The sleek, space-efficient design is perfect for displaying a variety of tiles in limited spaces, while the sturdy construction ensures smooth rotation and durability. With customizable finishes and flexible configurations, the Full Revolve Series combines functionality with striking presentation, making your tiles the center of attention.

**FULL
REVOLVE
SERIES**

FULL REVOLVE
SERIES

SDP 016



STANDSIZE
604 X 1070X1735 (LWH)

TILES THICKNESS
9 MM
NUMBER OF PANELS
5
NUMBER OF DISPLAY

10
SIZE OF TILES
600 X 1200 MM, 800 X 1600 MM

**PRODUCT
DETAILS**

TYPE
MS PIPE

PANEL PIPE
50 X 10 X 1.6 MM

OUTERBODYFRAME PIPE
50 X 50 X 1.2 MM

COATING
POWDER COATING

WEIGHT
100 KG (APPROX)

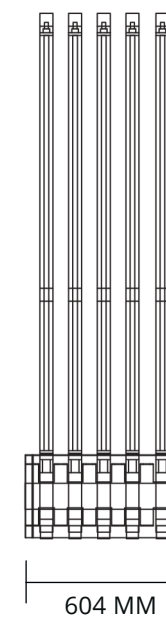
**FULL REVOLVE
SERIES**



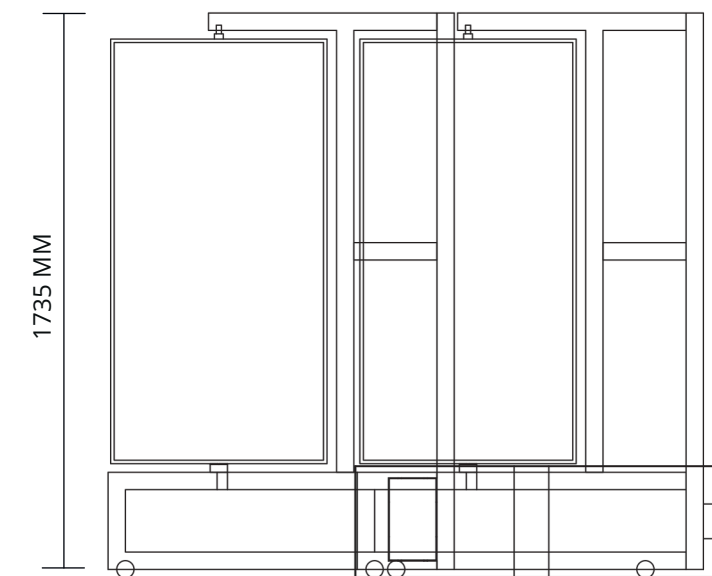
AVAILABLE COLORS



SIDE
VIEW



TOP
VIEW



FULL REVOLVE
SERIES

SDP 017



STANDSIZE
604 X 1284X1633 (LWH)

TILES THICKNESS
9 MM
NUMBER OF PANELS
5
NUMBER OF DISPLAY

10
SIZE OF TILES
600 X 1200 MM, 800 X 1600 MM

**PRODUCT
DETAILS**

TYPE
MS PIPE

MS PLATE
1.6 MM
OUTERBODYFRAME PIPE

50 X 50 X 1.2 MM
COATING
POWDER COATING

WEIGHT
100 KG (APPROX)

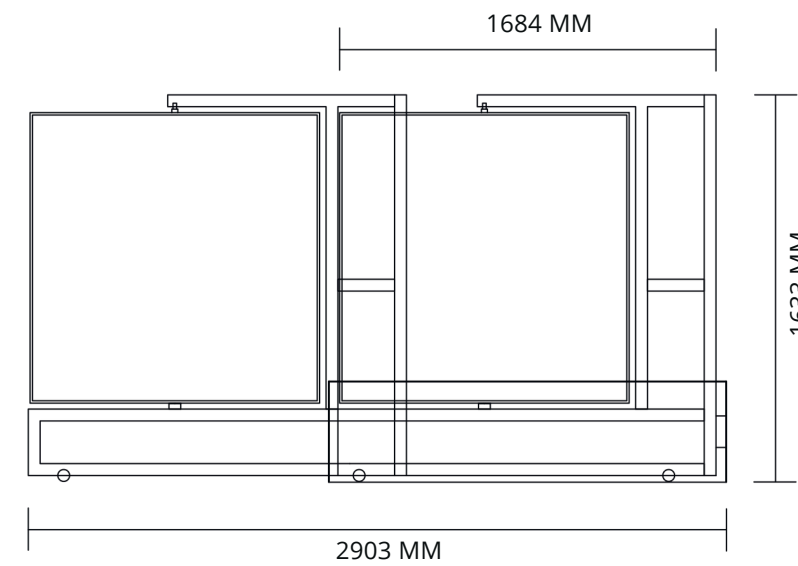
FULL REVOLVE SERIES



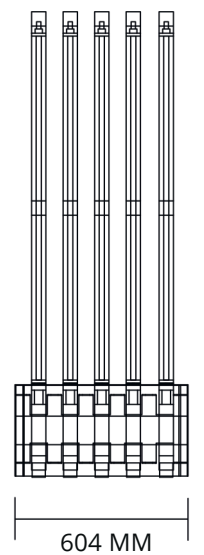
AVAILABLE COLORS



FRONT
VIEW



SIDE
VIEW



**FULL REVOLVE
SERIES**

SDP 018



STANDSIZE
604 X 1070X1735 (LWH)

TILES THICKNESS
9 MM
NUMBER OF PANELS
5
NUMBER OF DISPLAY

10
SIZE OF TILES
600 X 1200 MM, 800 X 1600 MM

**PRODUCT
DETAILS**

TYPE
MS PIPE

PANEL PIPE
20 X 20 X 1.2 MM

OUTERBODYFRAME PIPE
50 X 50 X 1.2 MM

COATING
POWDER COATING

WEIGHT
70 KG (APPROX)

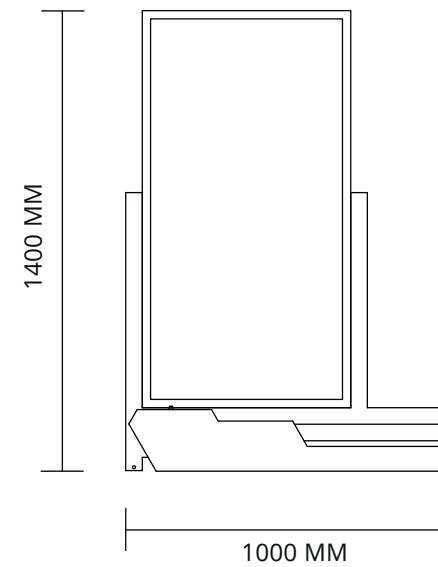
**FULL REVOLVE
SERIES**



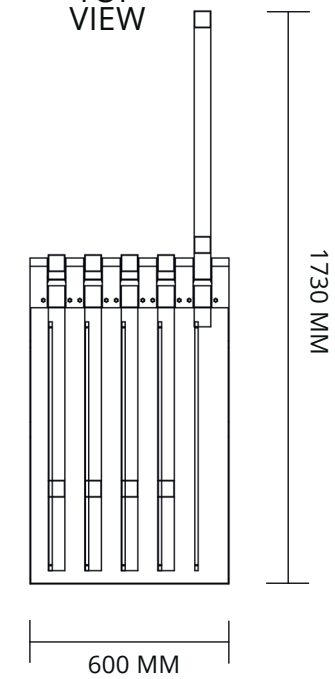
AVAILABLE COLORS



FRONT
VIEW

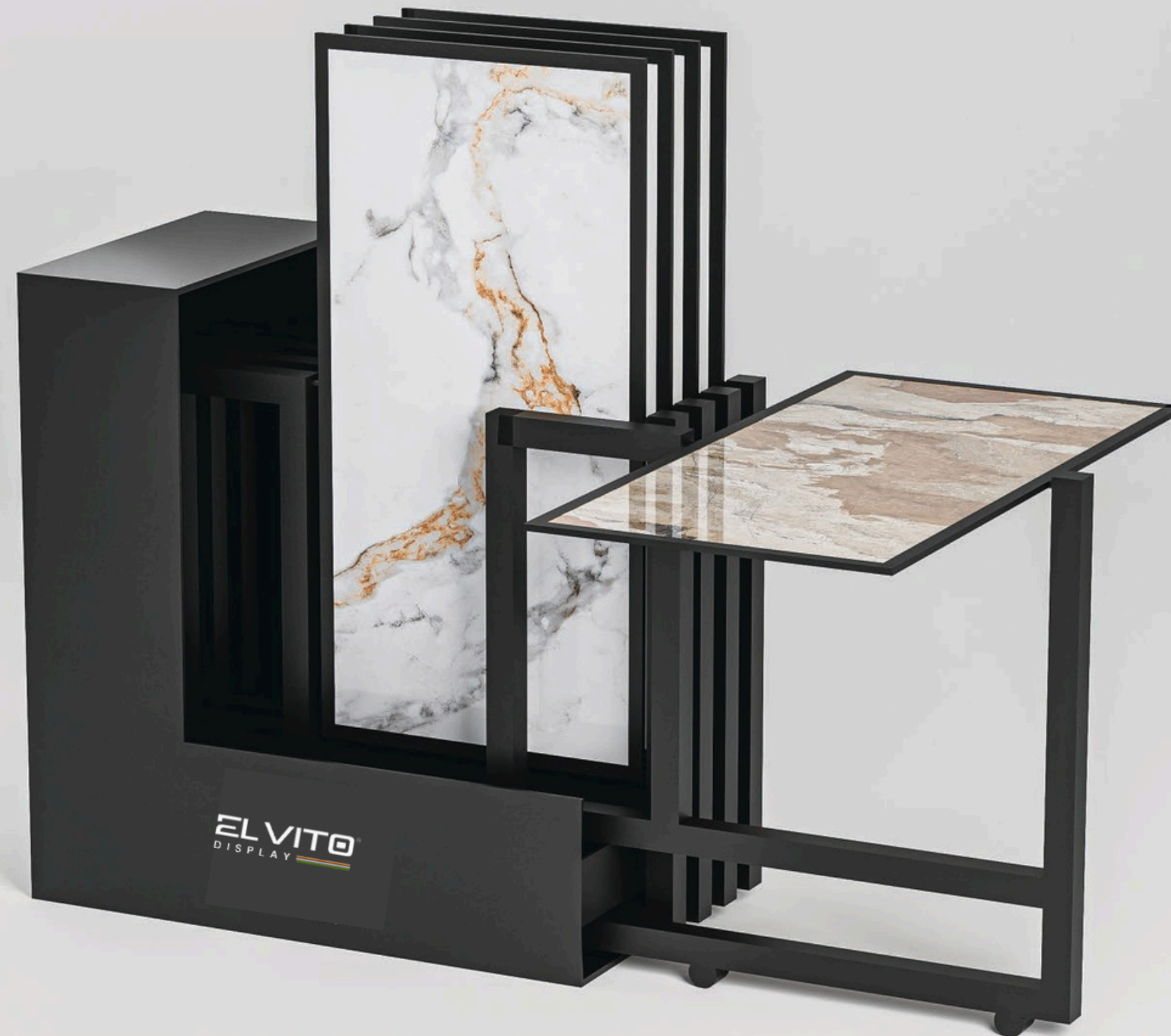


TOP
VIEW



FULL REVOLVE
SERIES

SDP 019



STAND SIZE
620 X 1050 X 1735 (LWH)

TILES THICKNESS
9 MM
NUMBER OF PANELS
5
NUMBER OF DISPLAY

10
SIZE OF TILES
600 X 1200 MM, 800 X 1600 MM

**PRODUCT
DETAILS**

TYPE
MS PIPE

PANEL PIPE
20 X 20 X 1.2 MM

OUTER BODY FRAME PIPE
50 X 50 X 1.2 MM

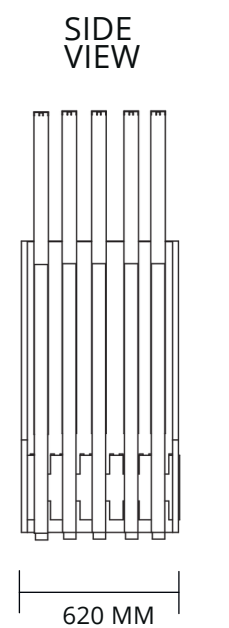
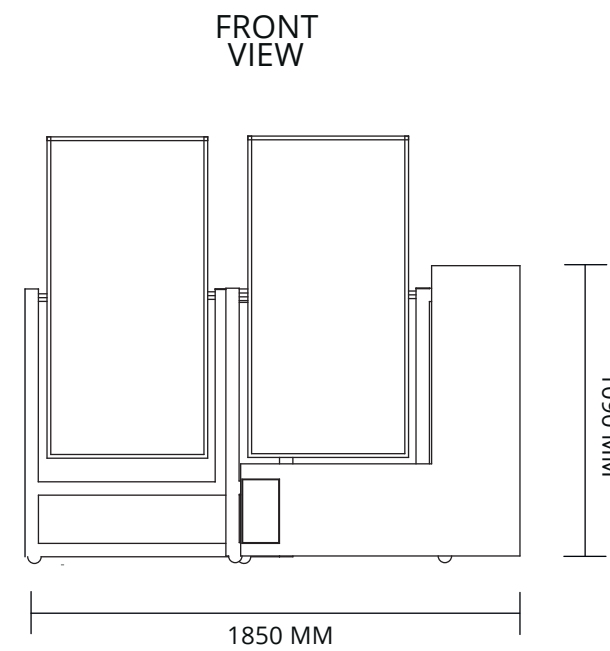
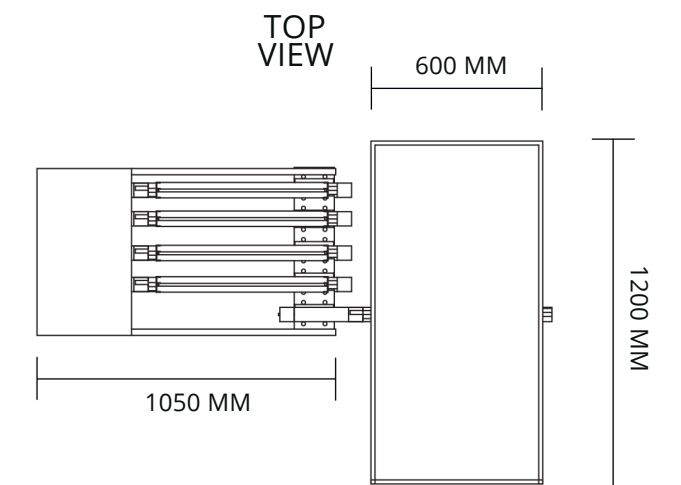
COATING
POWDER COATING

WEIGHT
80 KG (APPROX)

**FULL REVOLVE
SERIES**



AVAILABLE COLORS



FULL REVOLVE
SERIES

SDP 020



STANDSIZE
2470X 990 X2660 (LWH)

TILES THICKNESS
9 MM

NUMBER OF PANELS

10

NUMBER OF DISPLAY

20

SIZE OF TILES

**300 X 300 400 X 400 MM 300 X 600 MM 600 X 600 MM
600 X 1200 MM 1200 X 1200 MM 1200 X 2400 MM (AS PER REQ.)**

**PRODUCT
DETAILS**

TYPE
MS PIPE

OUTERBODYSTRUCTURE PIPE
100 X 50 X 3 MM

PANEL PIPE
50 X 25 X 1.2 MM

COATING
POWDER COATING

WEIGHT
900 KG (APPROX)

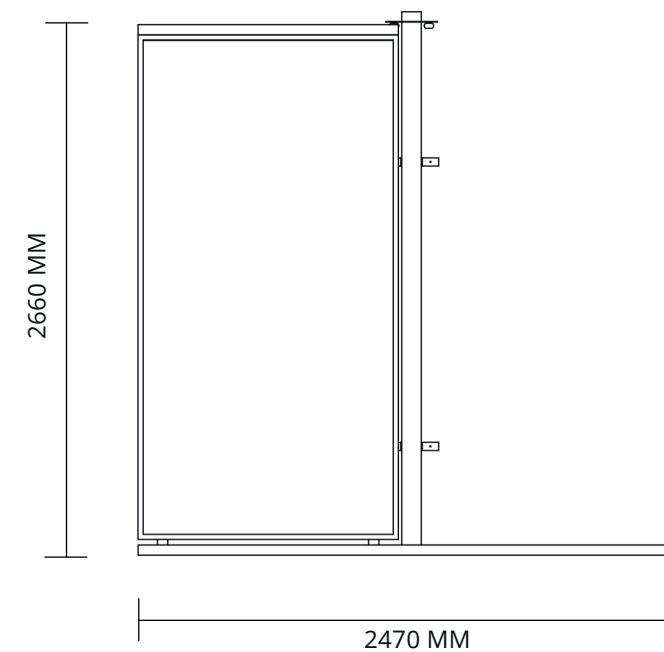
**FULL REVOLVE
SERIES**



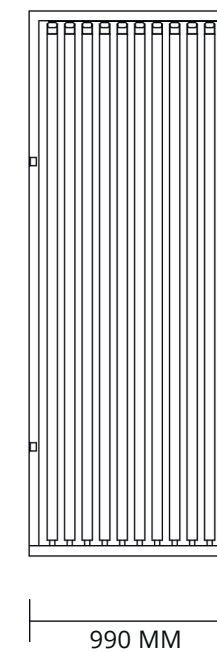
AVAILABLE COLORS



FRONT
VIEW



SIDE
VIEW



TILES SET



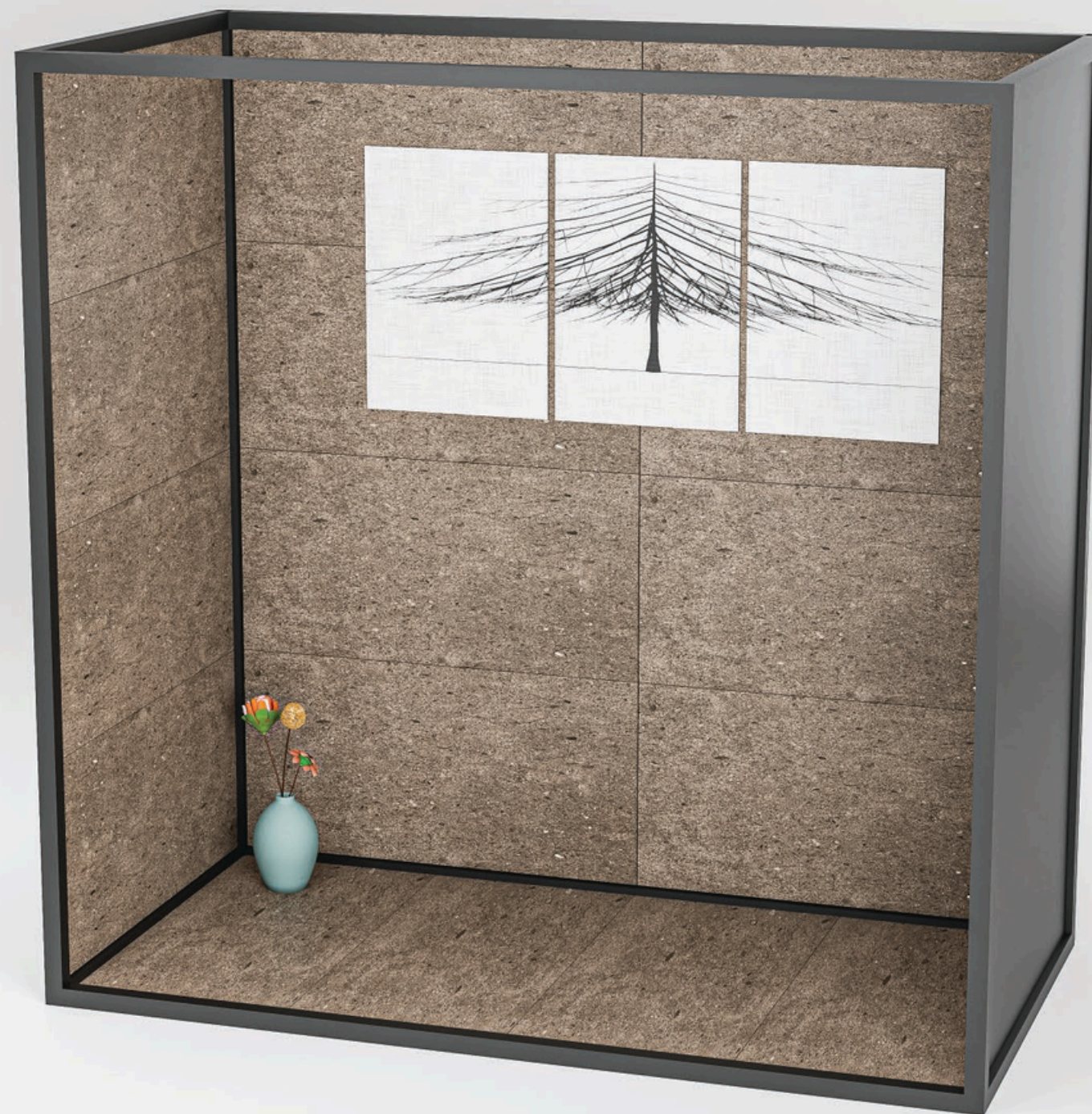
**COMPACT DISPLAY,
MAXIMUM IMPACT**

Introducing the Tiles Set Collection by ELVITO Display, a curated selection of versatile tile display solutions designed to showcase your complete range of tiles with style and efficiency. Whether for large showrooms, exhibitions, or compact presentation areas, the Tiles Set Collection offers adaptable stands that beautifully display multiple tile sizes, textures, and finishes. Each stand is crafted with attention to detail, ensuring that your tiles are presented in an organized and professional manner. With sleek designs, customizable options, and robust construction, the Tiles Set Collection enhances both the presentation and the accessibility of your tile offerings, providing a seamless viewing experience for your customers.

**TILES SET
SERIES**

TILES SET
SERIES

SDP 021



STANDSIZE
2510 X 1305X 2510 (LWH)

TILES THICKNESS
9 MM
NUMBER OF PANELS
1
NUMBER OF DISPLAY
1
SIZE OF TILES

**600 X 1200 MM, 800 X 1600 MM, 1200 X 1800 MM
1200 X 2400 MM (AS PER REQUIREMENT)**

**PRODUCT
DETAILS**

TYPE
MS PIPE
OUTERBODYFRAME PIPE
50 X 50 X 1.2 MM
COATING
POWDER COATING
WEIGHT
250 KG (APPROX)

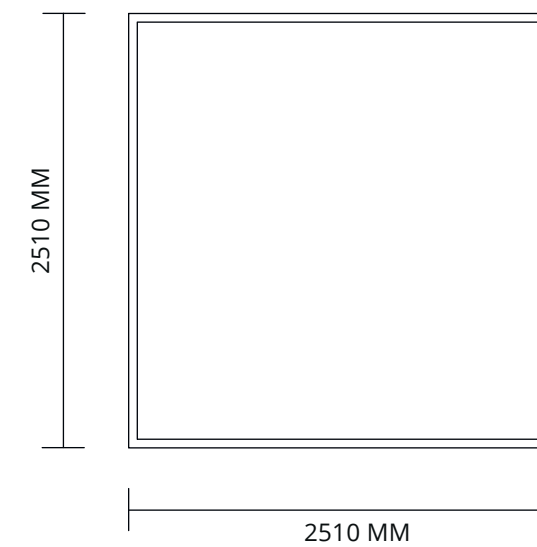
**TILES SET
SERIES**



AVAILABLE COLORS



FRONT
VIEW



TOP
VIEW



TILES SET
SERIES

SDP 022



STANDSIZE
3710 X 3710X 2510 (LWH)

TILES THICKNESS
9 MM
NUMBER OF PANELS
1
NUMBER OF DISPLAY
1
SIZE OF TILES

**PRODUCT
DETAILS**

TYPE
MS PIPE
OUTERBODYFRAME PIPE
50 X 50 X 1.2 MM
COATING
POWDER COATING
WEIGHT
400 KG (APPROX)

**TILES SET
SERIES**

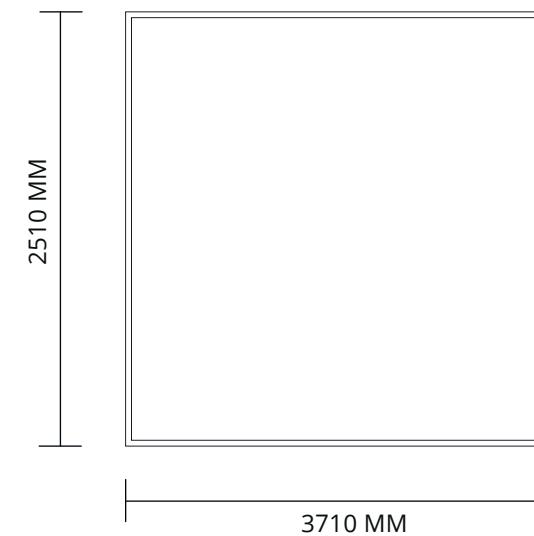
**600 X 1200 MM, 800 X 1600 MM, 1200 X 1800 MM
1200 X 2400 MM (AS PER REQUIREMENT)**



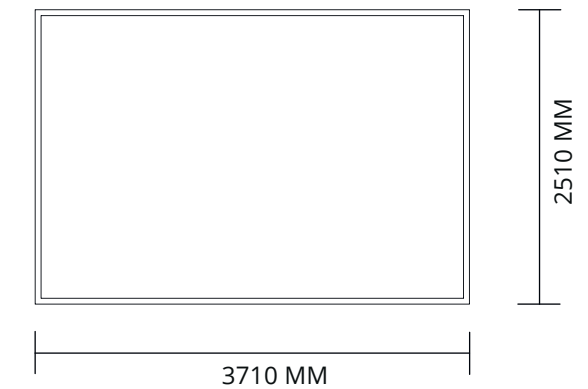
AVAILABLE COLORS



TOP
VIEW



FRONT
VIEW



**TILES SET
SERIES**

SDP 023



STANDSIZE
3150 X 3150X 2630 (LWH)

TILES THICKNESS
9 MM
NUMBER OF PANELS
1
NUMBER OF DISPLAY
1
SIZE OF TILES

**600 X 1200 MM, 800 X 1600 MM, 1200 X 1800 MM
1200 X 2400 MM (AS PER REQUIREMENT)**

**PRODUCT
DETAILS**

TYPE
MS PIPE
OUTERBODYFRAME PIPE
50 X 50 X 1.2 MM
COATING
POWDER COATING
WEIGHT
350 KG (APPROX)

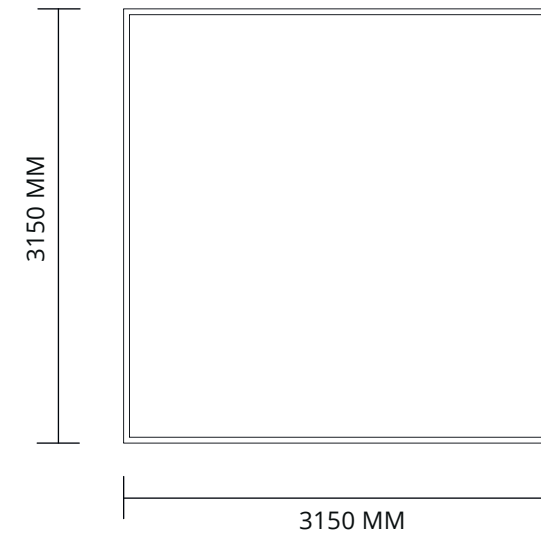
**TILES SET
SERIES**



AVAILABLE COLORS



FRONT
VIEW



TOP
VIEW



TILES SET
SERIES
SDP 024



STANDSIZE
2510 X 705X2535 (LWH)

TILES THICKNESS
9 MM
NUMBER OF PANELS
1
NUMBER OF DISPLAY
1
SIZE OF TILES

**PRODUCT
DETAILS**

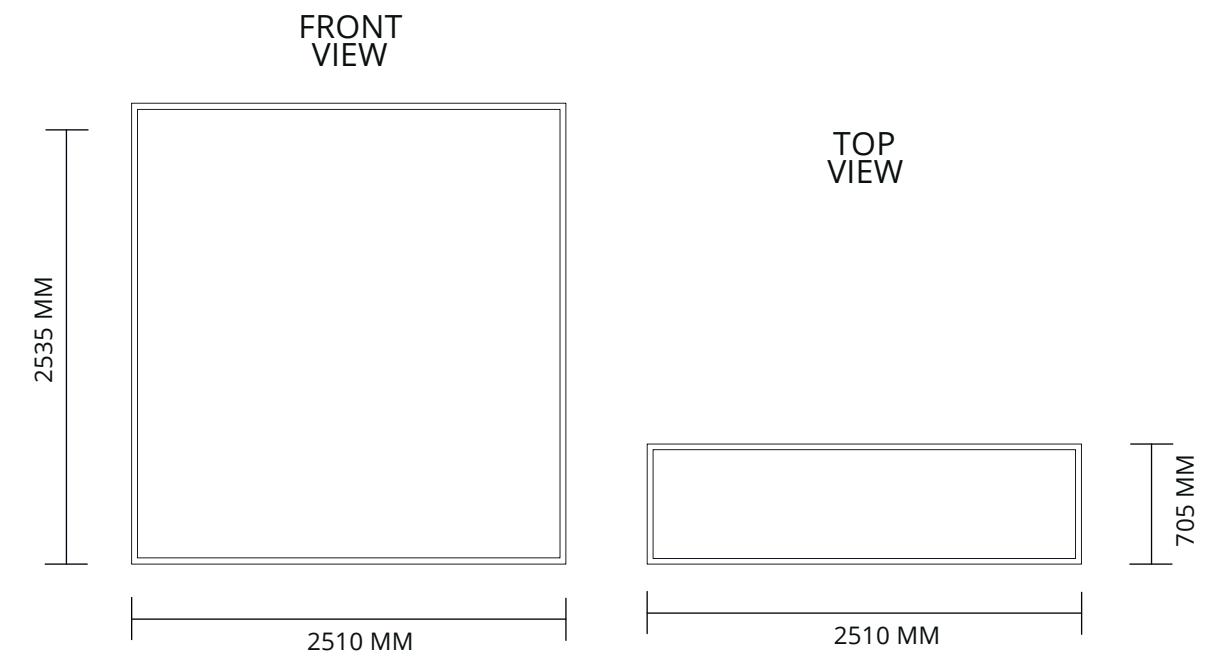
TYPE
MS PIPE
OUTERBODYFRAME PIPE
50 X 50 X 1.2 MM
COATING
POWDER COATING
WEIGHT
200 KG (APPROX)

**TILES SET
SERIES**

**600 X 1200 MM, 800 X 1600 MM, 1200 X 1800 MM
1200 X 2400 MM (AS PER REQUIREMENT)**



AVAILABLE COLORS



**TILES SET
SERIES**

SDP 025



STANDSIZE
3310 X 1705X 2535 (LWH)

TILES THICKNESS
9 MM
NUMBER OF PANELS
1
NUMBER OF DISPLAY
1
SIZE OF TILES

**600 X 1200 MM, 800 X 1600 MM, 1200 X 1800 MM
1200 X 2400 MM (AS PER REQUIREMENT)**

**PRODUCT
DETAILS**

TYPE
MS PIPE
OUTERBODYFRAME PIPE
50 X 50 X 1.2 MM
COATING
POWDER COATING
WEIGHT
300 KG (APPROX)

**TILES SET
SERIES**

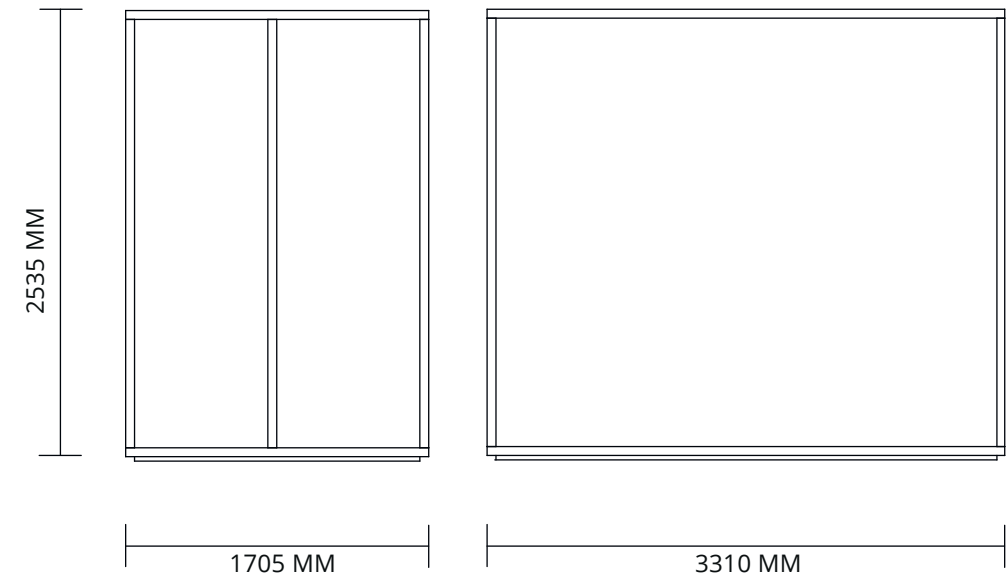


AVAILABLE COLORS



SIDE
VIEW

FRONT
VIEW



**TILES SET
SERIES**

SDP 026



STANDSIZE
3310 X 1705X 2535 (LWH)

TILES THICKNESS
9 MM
NUMBER OF PANELS
1
NUMBER OF DISPLAY
1
SIZE OF TILES

**600 X 1200 MM, 800 X 1600 MM, 1200 X 1800 MM
1200 X 2400 MM (AS PER REQUIREMENT)**

**PRODUCT
DETAILS**

TYPE
MS PIPE
OUTERBODYFRAME PIPE
50 X 50 X 1.2 MM
COATING
POWDER COATING
WEIGHT
300 KG (APPROX)

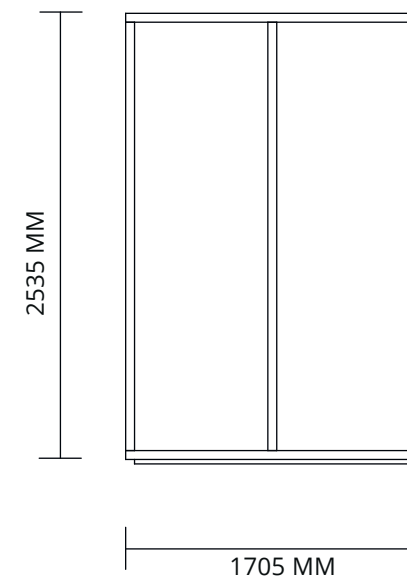
**TILES SET
SERIES**



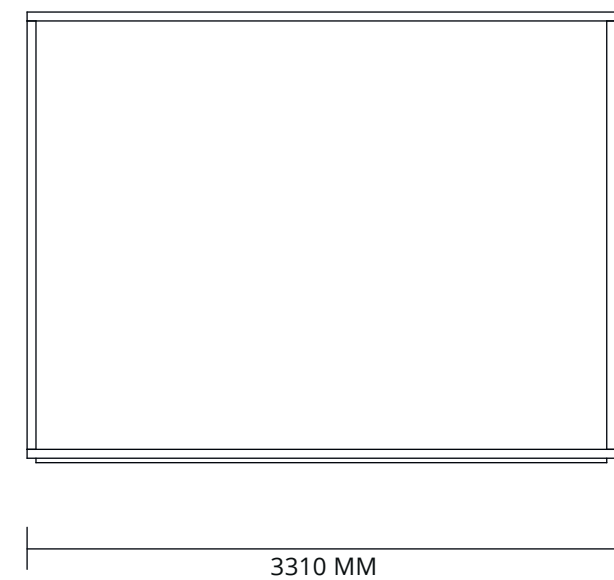
AVAILABLE COLORS



SIDE
VIEW



FRONT
VIEW



**TILES SET
SERIES**

SDP 027



STANDSIZE
2540 X 1320X 2640 (LWH)

TILES THICKNESS
9 MM
NUMBER OF PANELS
1
NUMBER OF DISPLAY
1
SIZE OF TILES

**600 X 1200 MM, 800 X 1600 MM, 1200 X 1800 MM
1200 X 2400 MM (AS PER REQUIREMENT)**

**PRODUCT
DETAILS**

TYPE
MS PIPE
OUTERBODYFRAME PIPE
50 X 50 X 1.2 MM
COATING
POWDER COATING
WEIGHT
200 KG (APPROX)

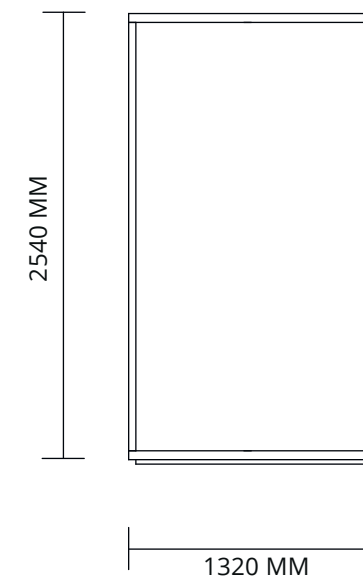
**TILES SET
SERIES**



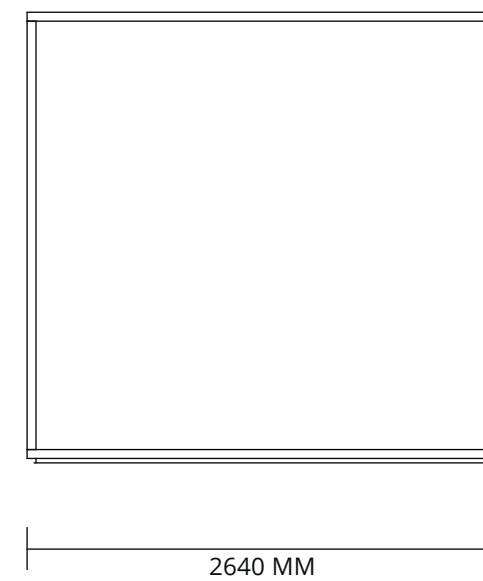
AVAILABLE COLORS



SIDE
VIEW



FRONT
VIEW



TILES SET
SERIES

SDP 028



STANDSIZE
2540 X 1320X 2640 (LWH)

TILES THICKNESS

9 MM

NUMBER OF PANELS

1

NUMBER OF DISPLAY

1

SIZE OF TILES

**600 X 1200 MM, 800 X 1600 MM, 1200 X 1800 MM
1200 X 2400 MM (AS PER REQUIREMENT)**

**PRODUCT
DETAILS**

TYPE
MS PIPE

OUTERBODYFRAME PIPE

50 X 50 X 1.2 MM

COATING

POWDER COATING

WEIGHT

160 KG KG (APPROX)

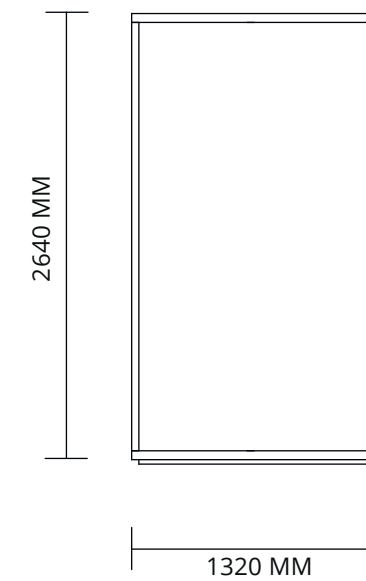
**TILES SET
SERIES**



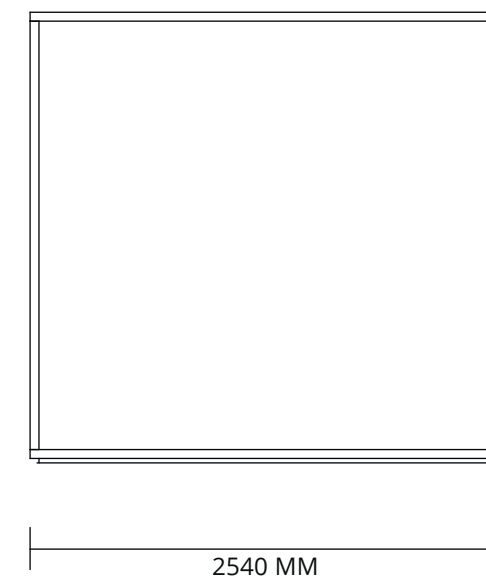
AVAILABLE COLORS



SIDE
VIEW



FRONT
VIEW



TILES SET
SERIES

SDP 029



STANDSIZE
2540 X 2540X 2540 (LWH)

TILES THICKNESS
9 MM
NUMBER OF PANELS
1
NUMBER OF DISPLAY
1
SIZE OF TILES

600 X 1200 MM, 800 X 1600 MM, 1200 X 1800 MM
1200 X 2400 MM (AS PER REQUIREMENT)

**PRODUCT
DETAILS**

TYPE
MS PIPE
OUTERBODYFRAME PIPE
50 X 50 X 1.2 MM
COATING
POWDER COATING
WEIGHT
400 KG (APPROX)

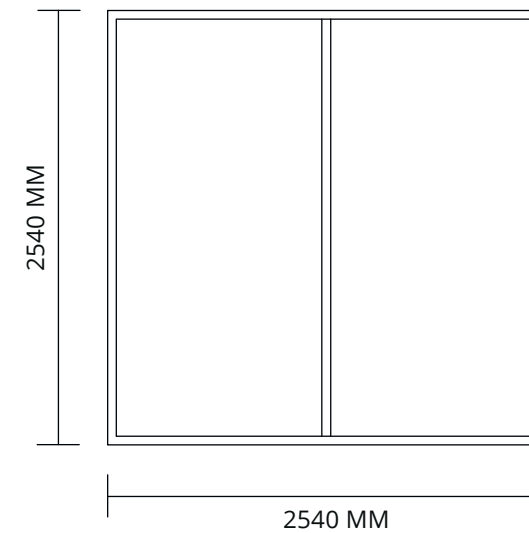
**TILES SET
SERIES**



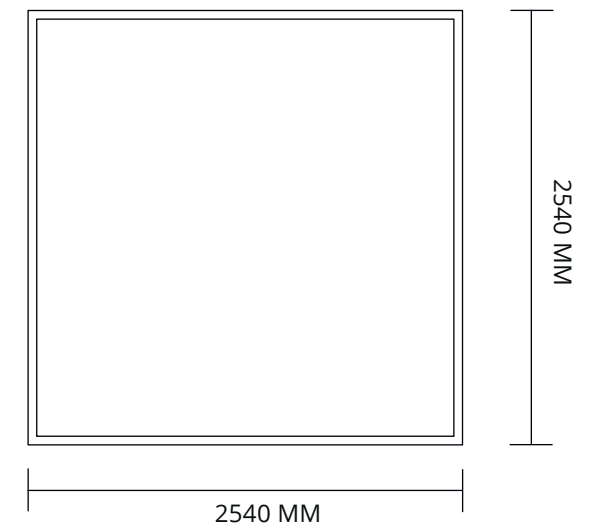
AVAILABLE COLORS



FRONT
VIEW



TOP
VIEW



SLAB SAMPLE



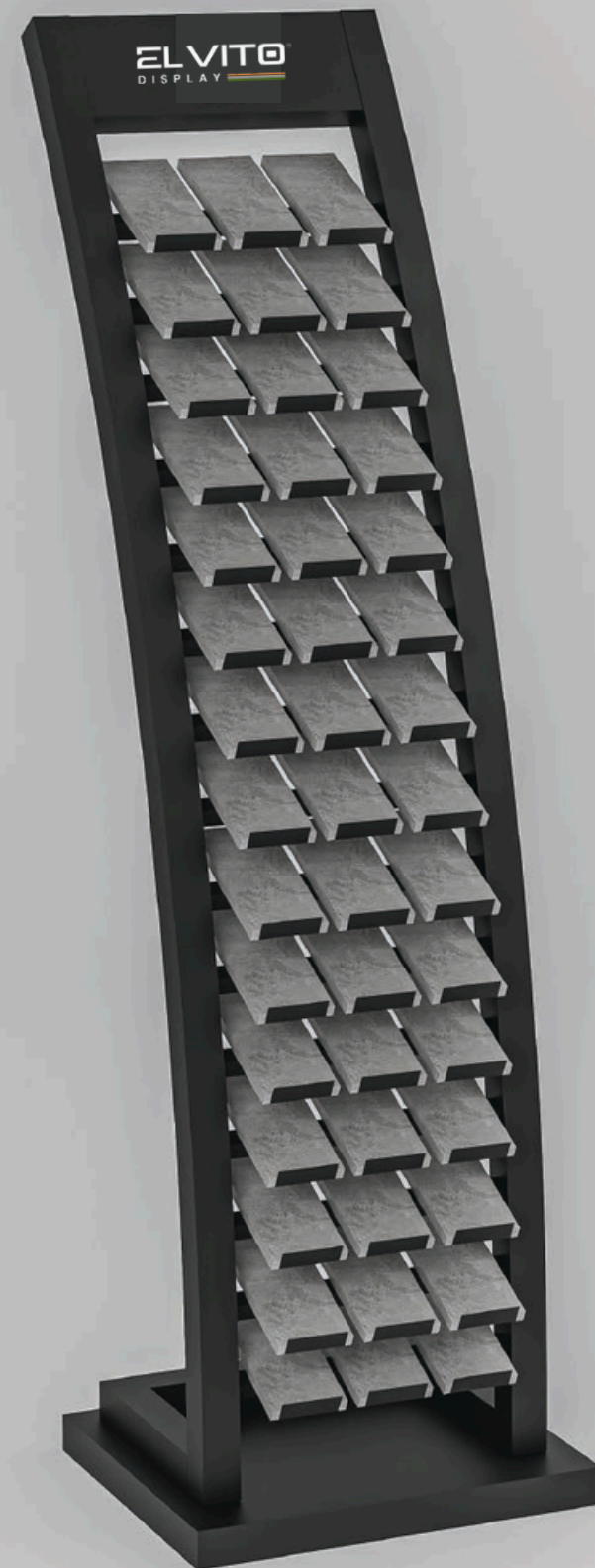
**COMPACT DISPLAY,
MAXIMUM IMPACT**

Slab Sample Series by ELVITO Display, a premium collection of display stands designed specifically to present large-format slab tiles with elegance and ease. Perfect for showrooms, exhibitions, or customer presentations, these stands are crafted to hold and showcase heavy and oversized slabs without compromising on style or stability. The robust design ensures that your slabs are securely displayed, allowing customers to fully appreciate the beauty and texture of each piece. With customizable finishes and a sleek, modern aesthetic, the Slab Sample Series combines strength with sophistication, providing the perfect platform to highlight your most impressive slab tiles.

**SLAB SAMPLE
SERIES**

**SLAB SAMPLE
SERIES**

SDP 030



STANDSIZE
450 X 550 X1802 (LWH)

SLAB THICKNESS
15 MM
NUMBER OF PANELS
1
NUMBER OF DISPLAY

48
SIZE OF TILES
100 X 200 MM, 150 X 300 MM

**PRODUCT
DETAILS**

TYPE
MS PIPE
OUTERBODYFRAME PIPE
40 X 40 X 1.2 MM
COATING
POWDER COATING
WEIGHT
20 KG (APPROX)

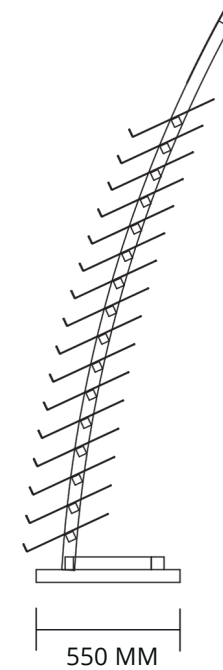
**SLAB SAMPLE
SERIES**



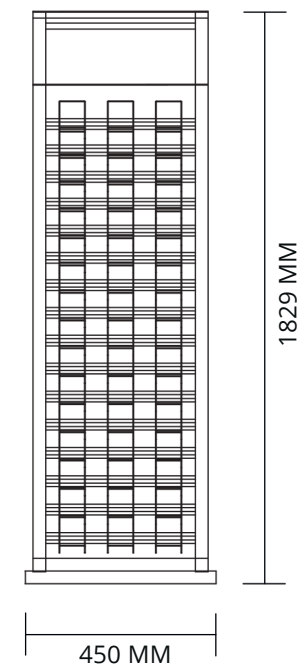
AVAILABLE COLORS



SIDE
VIEW



FRONT
VIEW





**SLAB SAMPLE
SERIES**

SDP 031

STANDSIZE
550 X 550 X1829 (LWH)

T
SLAB THICKNESS
15 MM

NUMBER OF PANELS
1

NUMBER OF DISPLAY

48
SIZE OF TILES

100 X 200 MM, 150 X 300 MM, 250 X 250 MM

PRODUCT DETAILS

TYPE
MS PIPE
OUTERBODYFRAME PIPE

40 X 40 X 1.2 MM
COATING
POWDER COATING

WEIGHT
20 KG (APPROX)

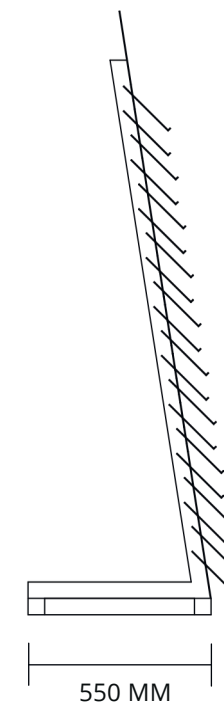
**SLAB SAMPLE
SERIES**



AVAILABLE COLORS



SIDE
VIEW

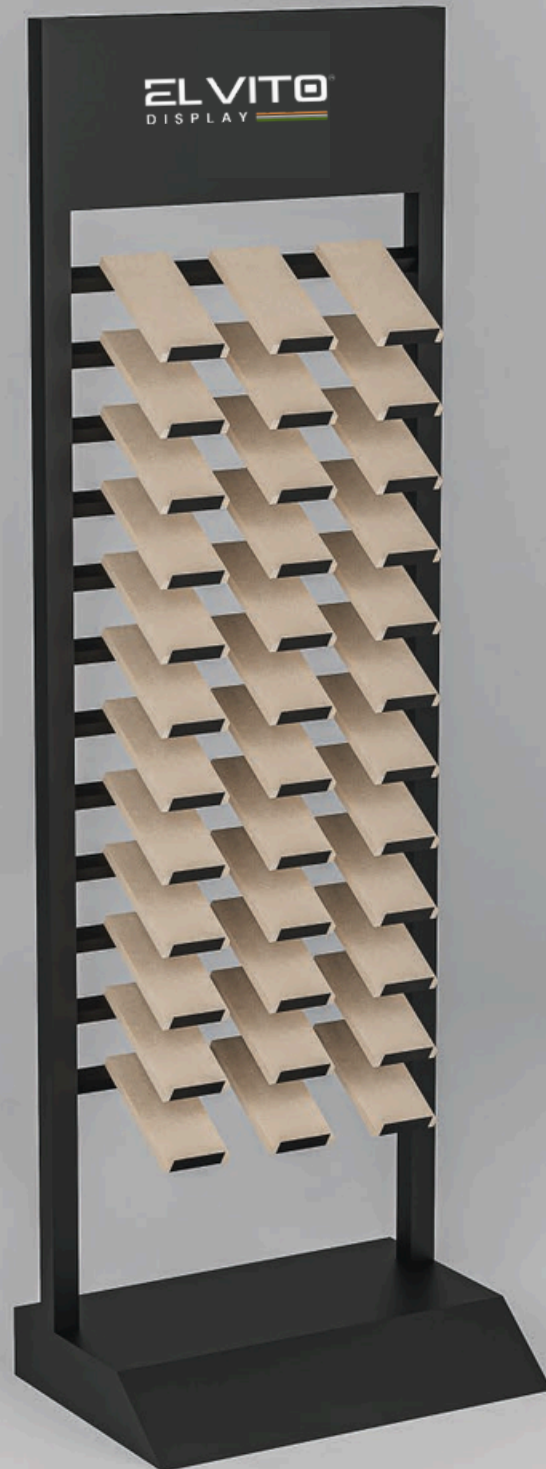


FRONT
VIEW



**SLAB SAMPLE
SERIES**

SDP 032



STANDSIZE
620 X 430 X1890 (LWH)

SLAB THICKNESS
15 MM
NUMBER OF PANELS
1
NUMBER OF DISPLAY

48
SIZE OF TILES
100 X 200 MM, 150 X 300 MM

**PRODUCT
DETAILS**

TYPE
MS PIPE
OUTERBODYFRAME PIPE
40 X 40 X 1.2 MM
COATING
POWDER COATING
WEIGHT
20 KG (APPROX)

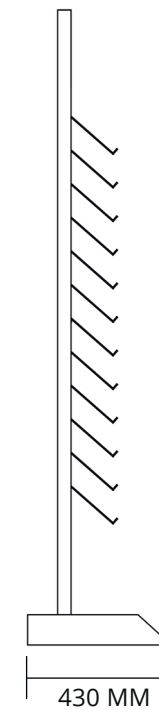
**SLAB SAMPLE
SERIES**



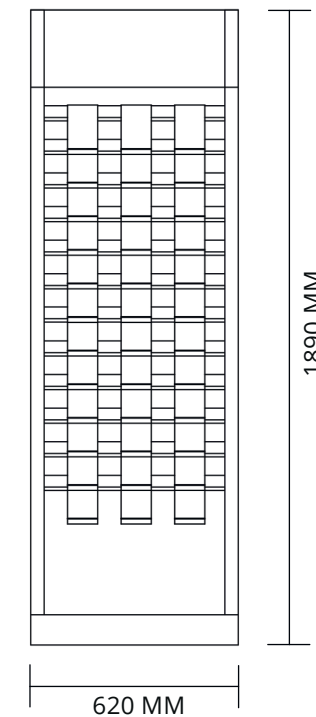
AVAILABLE COLORS



SIDE
VIEW



FRONT
VIEW



STEP RISER STANDY



**COMPACT DISPLAY,
MAXIMUM IMPACT**

the Wooden Plank Series by ELVITO Display, a specialized range of display stands crafted to elegantly showcase wooden plank-style tiles. Ideal for showrooms, exhibitions, or client presentations, these stands are designed to highlight the natural beauty and texture of wood-look tiles while maintaining a clean and organized display. The space-efficient design allows for the arrangement of multiple planks, ensuring that every variation in color and grain pattern is fully visible. With customizable finishes and sturdy construction, the Wooden Plank Series ensures that your wood-look tiles are presented in a professional and visually appealing manner, enhancing the overall customer experience.

**STEP RISER
STAND SERIES**



**STEP RISER STANDY
SERIES**

SDP 033



STANDSIZE
641 X 915 X1524 LWH)

TILES THICKNESS
09 MM
NUMBER OF PANELS
9
NUMBER OF DISPLAY
9
SIZE OF TILES

**PRODUCT
DETAILS**

TYPE
MS PIPE
COATING
POWDER COATING
WEIGHT
? (APPROX)

STEP RISER STANDY SERIES

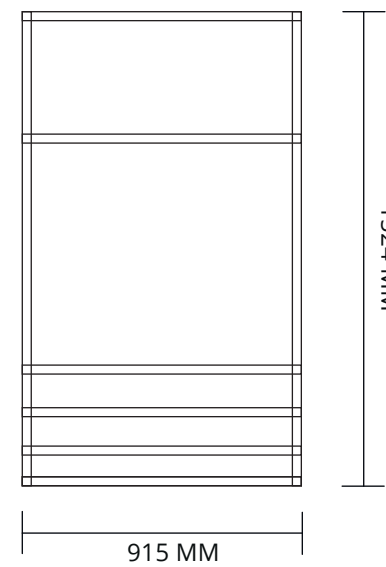
200 X 900 MM, 200 X 1000 MM, 200 X 1200 MM



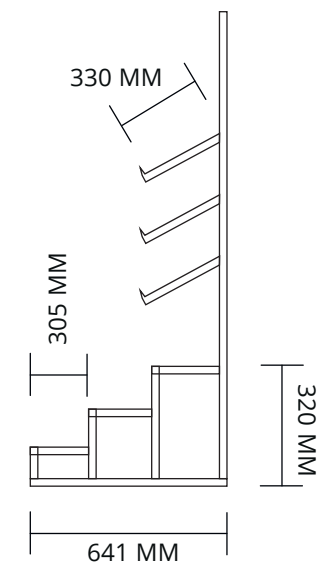
AVAILABLE COLORS



TOP
VIEW



SIDE
VIEW



WOODEN PLANK



**COMPACT DISPLAY,
MAXIMUM IMPACT**

the Wooden Plank Series by ELVITO Display, a specialized range of display stands crafted to elegantly showcase wooden plank-style tiles. Ideal for showrooms, exhibitions, or client presentations, these stands are designed to highlight the natural beauty and texture of wood-look tiles while maintaining a clean and organized display. The space-efficient design allows for the arrangement of multiple planks, ensuring that every variation in color and grain pattern is fully visible. With customizable finishes and sturdy construction, the Wooden Plank Series ensures that your wood-look tiles are presented in a professional and visually appealing manner, enhancing the overall customer experience.

**WOODEN
PLANK
SERIES**

**WOODEN PLANK
SERIES**

SDP 034



ELVITO
DISPLAY

STANDSIZE
1850 X 300X300 (LWH)

TILES THICKNESS
09 MM

NUMBER OF PANELS

12

NUMBER OF DISPLAY

12

SIZE OF TILES

200 X 900 MM, 200 X 1000 MM, 200 X 1200 MM

**PRODUCT
DETAILS**

TYPE
MS PIPE

MS PLATE
1.2 MM

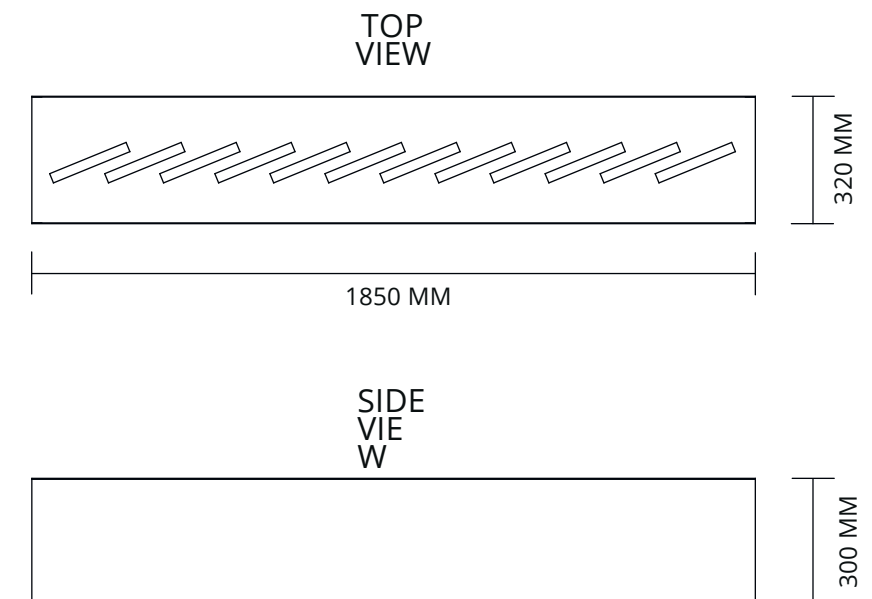
COATING
POWDER COATING

WEIGHT
15 KG (APPROX)

**WOODEN PLANK
SERIES**



AVAILABLE COLORS



**WOODEN PLANK
SERIES**

SDP 035



STANDSIZE
830 X 250 X150 (LWH)

TILES THICKNESS
09 MM

NUMBER OF PANELS

10

NUMBER OF DISPLAY

10

SIZE OF TILES

200 X 900 MM, 200 X 1000 MM, 200 X 1200 MM

PRODUCT DETAILS

TYPE
MS PIPE

MS PLATE
1.2 MM

COATING
POWDER COATING

WEIGHT
8 KG (APPROX)

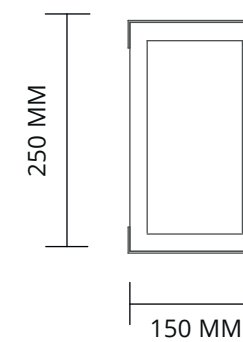
WOODEN PLANK SERIES



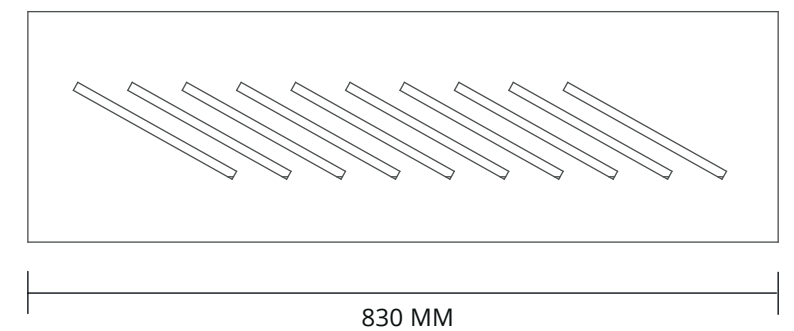
AVAILABLE COLORS



SIDE
VIEW



TOP
VIEW



**WOODEN PLANK
SERIES**

SDP 036



STAND SIZE
1200 X 450 X 1855 (LWH)

T
TILES THICKNESS
09 MM

NUMBER OF PANELS

10

NUMBER OF DISPLAY

10

SIZE OF TILES

**200 X 900 MM, 200 X 1000 MM, 200 X 1200 MM, 300 X 900 MM,
300 X 1200 MM**

PRODUCT DETAILS

TYPE
MS PIPE

MS PLATE
1.2 MM

COATING
POWDER COATING

WEIGHT
20 KG (APPROX)

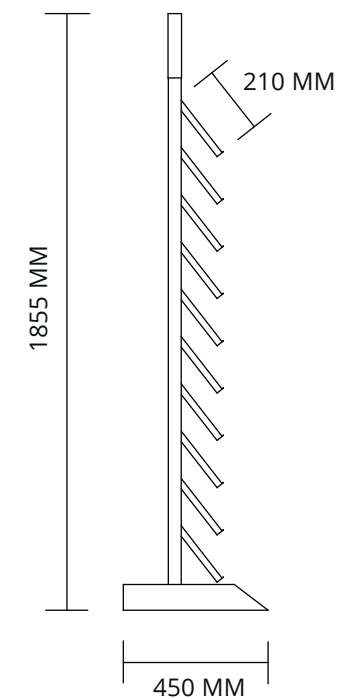
WOODEN PLANK SERIES



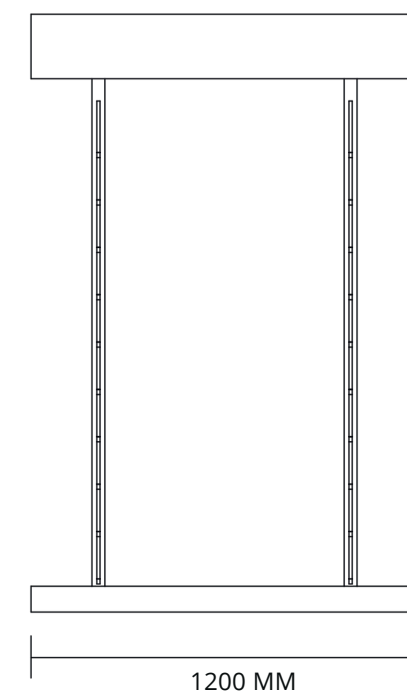
AVAILABLE COLORS



SIDE
VIEW



FRONT
VIEW



**WOODEN PLANK
SERIES**

SDP 037



STANDSIZE
425 X 200 X80 (LWH)

TILES THICKNESS
09 MM

NUMBER OF PANELS

10

NUMBER OF DISPLAY

10

SIZE OF TILES

200 X 900 MM, 200 X 1000 MM, 200 X 1200 MM

**PRODUCT
DETAILS**

TYPE
MS PIPE

MS PLATE
1.2 MM

COATING
POWDER COATING

WEIGHT
4 KG (APPROX)

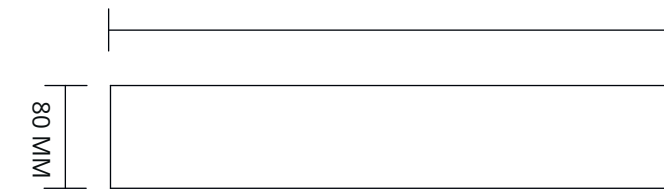
WOODEN PLANK SERIES



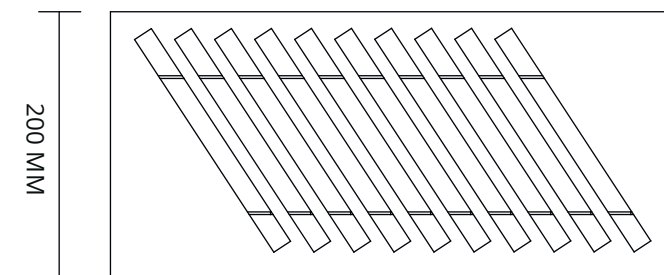
AVAILABLE COLORS



SIDE
VIEW
425 MM



TOP
VIEW



**WOODEN PLANK
SERIES**

SDP 038



STANDSIZE
1200 X 50 X2989 (LWH)

TILES THICKNESS
09 MM

NUMBER OF PANELS

10

NUMBER OF DISPLAY

10

SIZE OF TILES

200 X 900 MM, 200 X 1000 MM, 200 X 1200 MM

**PRODUCT
DETAILS**

TYPE
MS PIPE

MS PLATE
1.2 MM

COATING
POWDER COATING

WEIGHT
4 KG (APPROX)

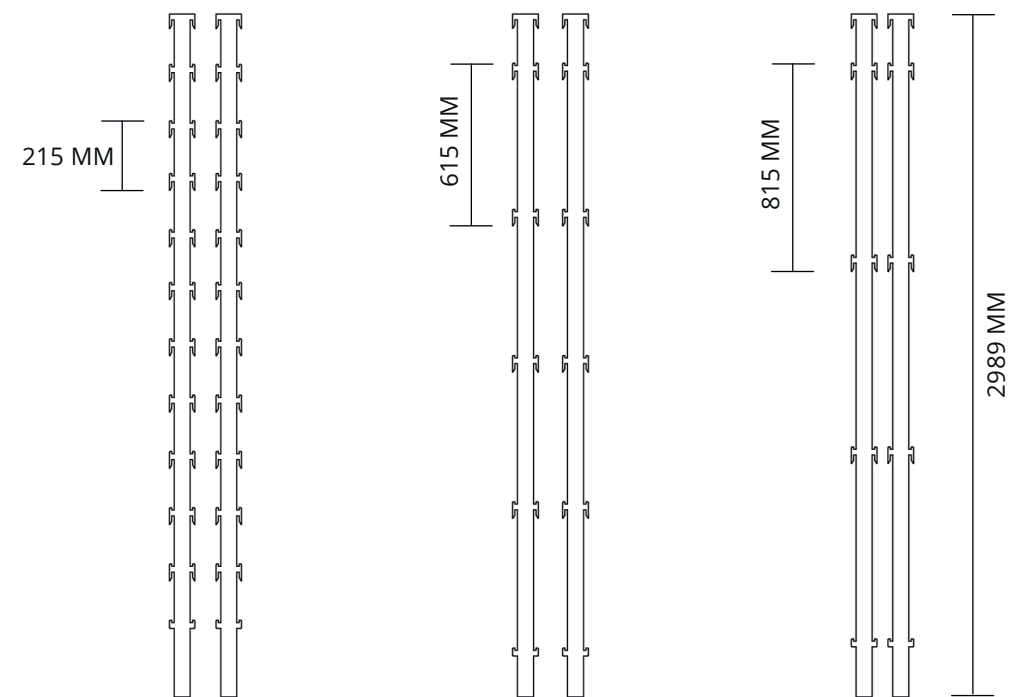
**WOODEN PLANK
SERIES**



AVAILABLE COLORS



SIDE
VIEW



**WOODEN PLANK
SERIES**

SDP 039



STANDSIZE
595 X 595 X50 (LWH)

TILES THICKNESS
09 MM

NUMBER OF PANELS

10

NUMBER OF DISPLAY

10

SIZE OF TILES

200 X 900 MM, 200 X 1000 MM, 200 X 1200 MM

**PRODUCT
DETAILS**

TYPE
MS PIPE

MS PLATE
18 MM

COATING
DECO PAINT

WEIGHT
3 KG (APPROX)

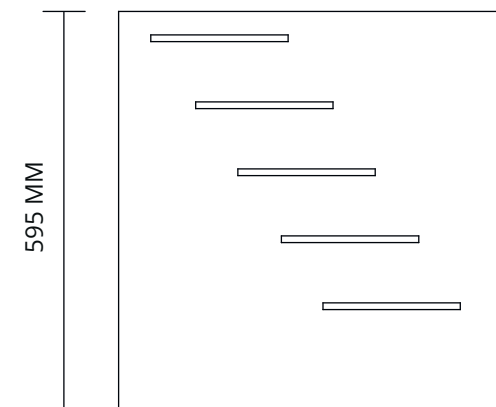
**WOODEN PLANK
SERIES**



AVAILABLE COLORS



TOP
VIEW



SIDE
VIEW



**WOODEN PLANK
SERIES**

SDP 040



STANDSIZE
1200 X 835X1350 (LWH)

TILES THICKNESS
12 MM
NUMBER OF PANELS
8
NUMBER OF DISPLAY
8
SIZE OF TILES

300 X 1200 MM, 300 X 900 MM

**PRODUCT
DETAILS**

TYPE
MS PIPE

OUTERBODYSTRUCTURE PIPE
25 X 25 X 1.2 MM

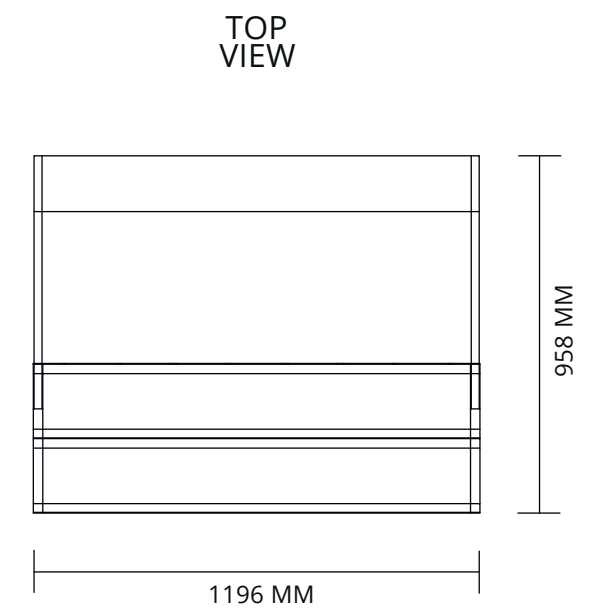
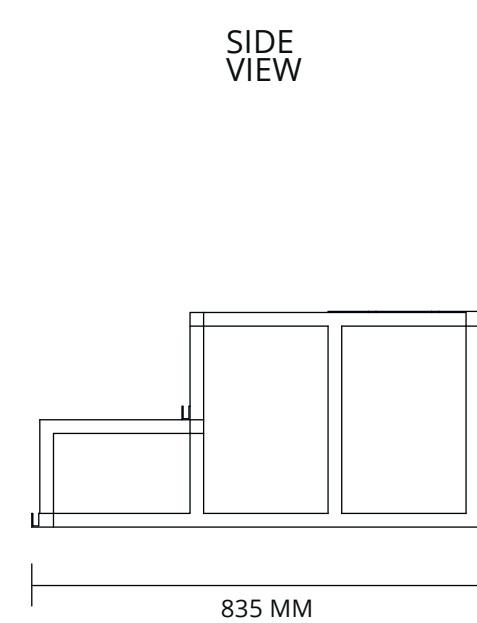
MS PLATE
1.2 MM
COATING
POWDER COATING

WEIGHT
15 KG (APPROX)

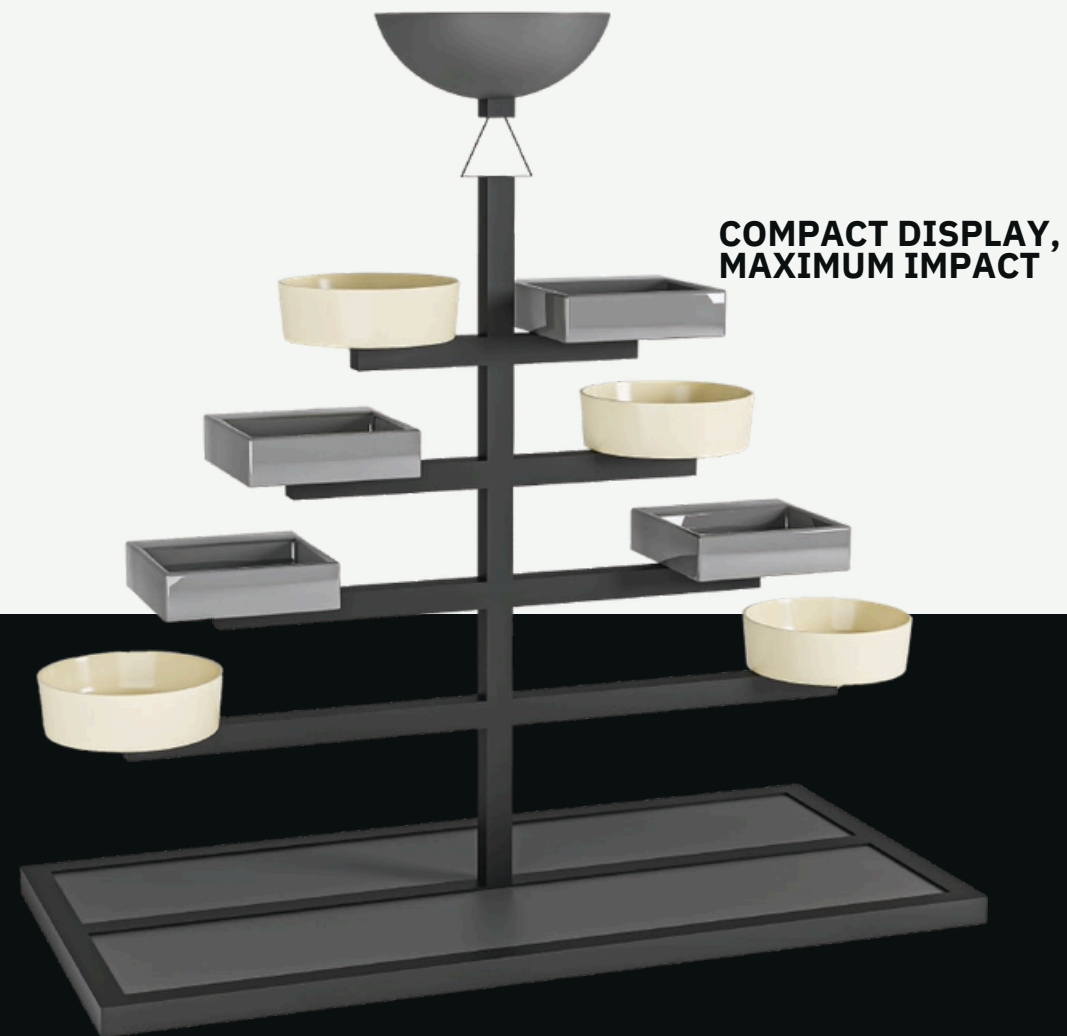
**WOODEN PLANK
SERIES**



AVAILABLE COLORS



SANITARY



Introducing the Sanitary Series by Super Display, a collection of sleek and innovative sanitaryware display stands crafted to showcase your bathroom solutions with precision and style. Perfect for showrooms, exhibitions, or client presentations, these stands are designed to display a variety of bathroom fixtures, from vanities to faucets, ensuring maximum visibility and appeal. With a modern, space-saving design, they are easy to set up and adaptable to various environments, making them ideal for both stationary displays and mobile sales teams. The customizable finishes and durable build guarantee that every product is presented with professionalism and elegance, leaving a lasting impression.

**SANITARY
SERIES**

**SANITARY
SERIES**

SDP 041



STAND SIZE
1553X676X524 (LWH)

SIZE OF TILES
600X600MM, 600 X 1200 MM

TILES THICKNESS
0

NUMBER OF TILES
0

NUMBER OF DISPLAY
0

**PRODUCT
DETAILS**

TYPE
MS PIPE

PIPE SIZE
40 X 40 MM

COATING
POWDER COATING

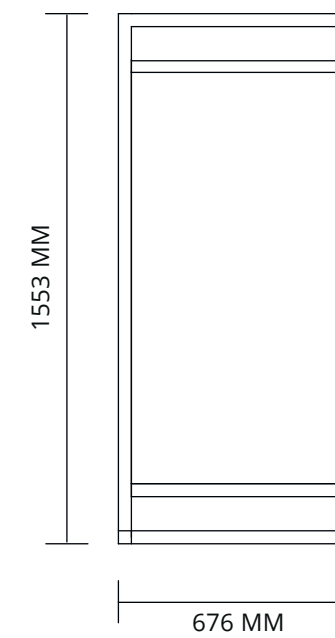
WEIGHT
12 KG (APPROX)

**SANITARY
SERIES**

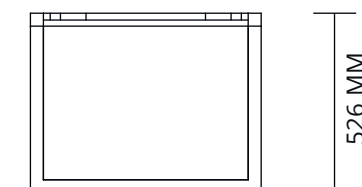
AVAILABLE COLORS



FRONT
VIEW



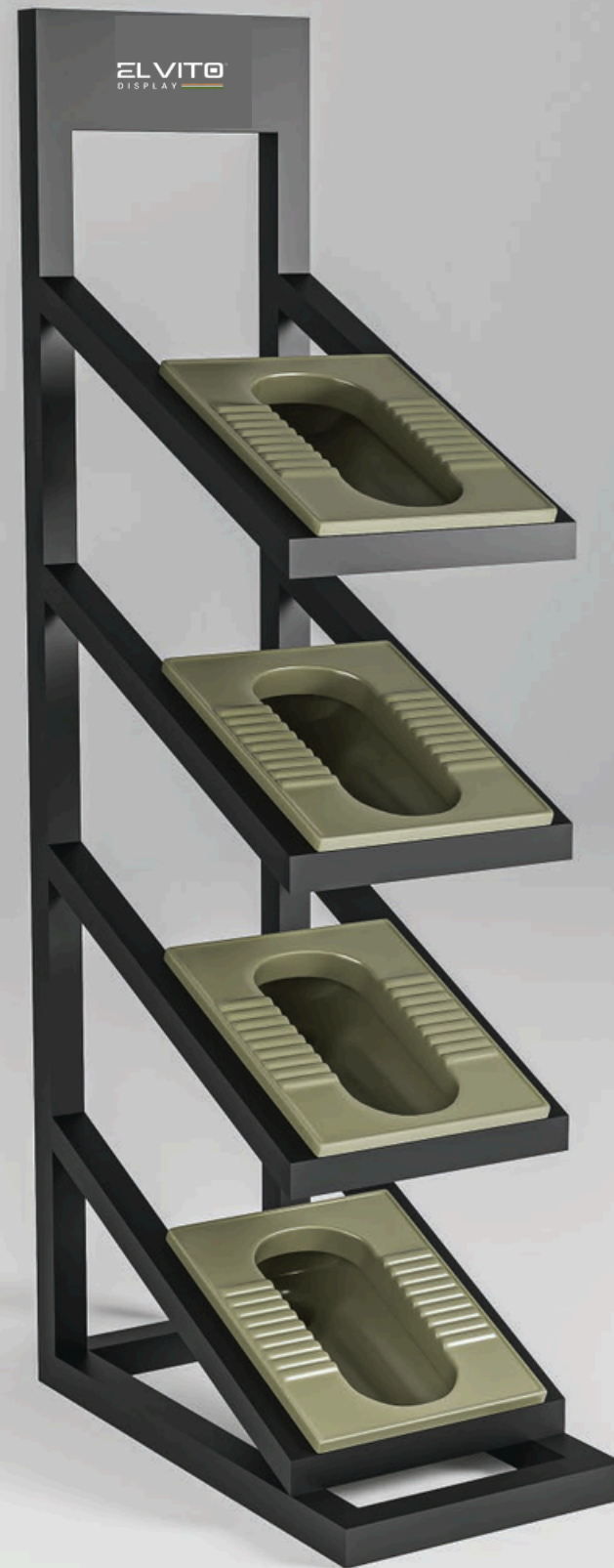
TOP
VIEW



ELVITO
DISPLAY

SANITARY
SERIES

SDP 042



STAND SIZE
1830X410X775 (LWH)

SIZE OF PCS
20 / 23INCH

NUMBER OF PCS
4

**PRODUCT
DETAILS**

TYPE
MS PIPE

PIPE SIZE
50 X 50 MM

COATING
POWDER COATING

WEIGHT
16 KG (APPROX)

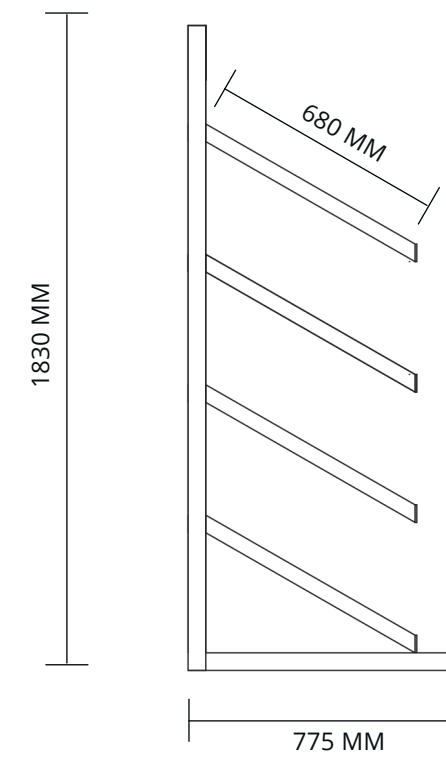
**SANITARY
SERIES**



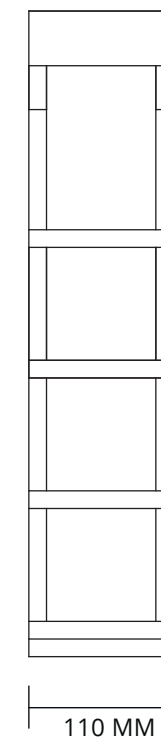
AVAILABLE COLORS



SIDE
VIEW



FRONT
VIEW



**SANITARY
SERIES**

SDP 043



STAND SIZE
1400X1620X 750 (LWH)

TSIZE OF PCS
12X18 / 12X24 INCH

NUMBER OF PCS
9

**PRODUCT
DETAILS**

TYPE
MS PIPE

PIPE SIZE
50 X 50 MM

COATING
POWDER COATING

WEIGHT
16 KG (APPROX)

**SANITARY
SERIES**

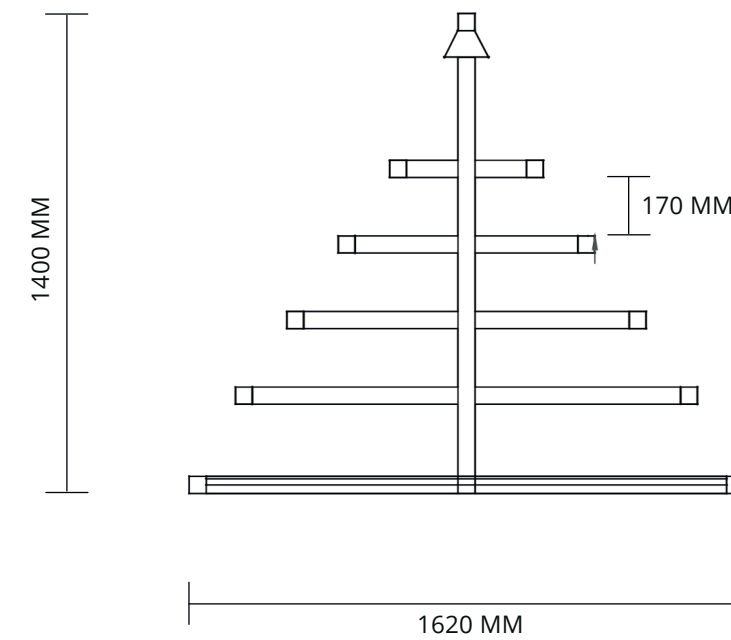
AVAILABLE COLORS



SDP 043

INNOVATING
DISPLAY
SOLUTIONS.

FRONT
VIEW



**SANITARY
SERIES**

SDP 044



STAND SIZE
2800X5000X 600 (LWH)

PRODUCT
DETAILS

TYPE
MS PIPE

PIPE SIZE
25 X 25 MM

COATING
POWDER COATING

WEIGHT
200 KG (APPROX)

**SANITARY
SERIES**

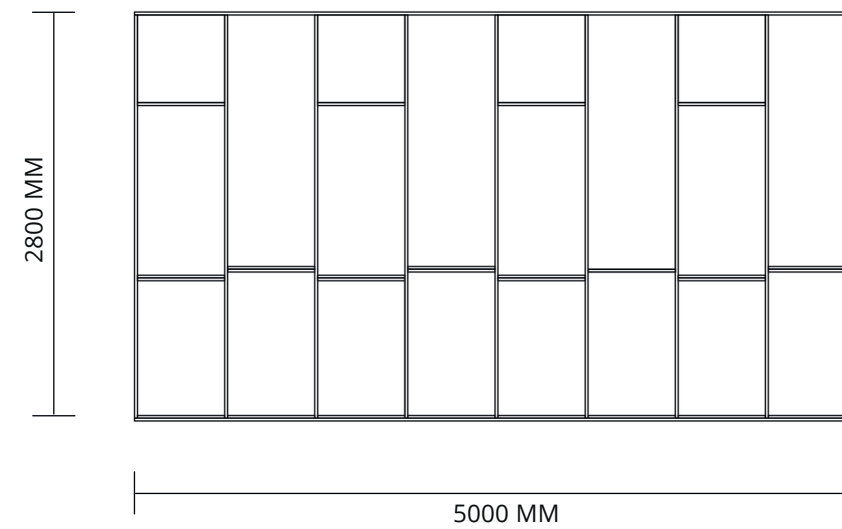
SDP 044



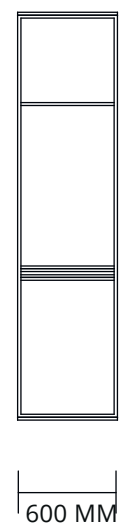
AVAILABLE COLORS



FRONT
VIEW



SIDE
VIEW



**SANITARY
SERIES**

SDP 045



STAND SIZE
940X2400X645 (LWH)

SIZE OF PCS
12X18 / 12X24 INCH

NUMBER OF PCS
5

**PRODUCT
DETAILS**

TYPE
MS PIPE

PIPE SIZE
25 X 25 MM

COATING
POWDER COATING

WEIGHT
50 KG (APPROX)

**SANITARY
SERIES**

AVAILABLE COLORS

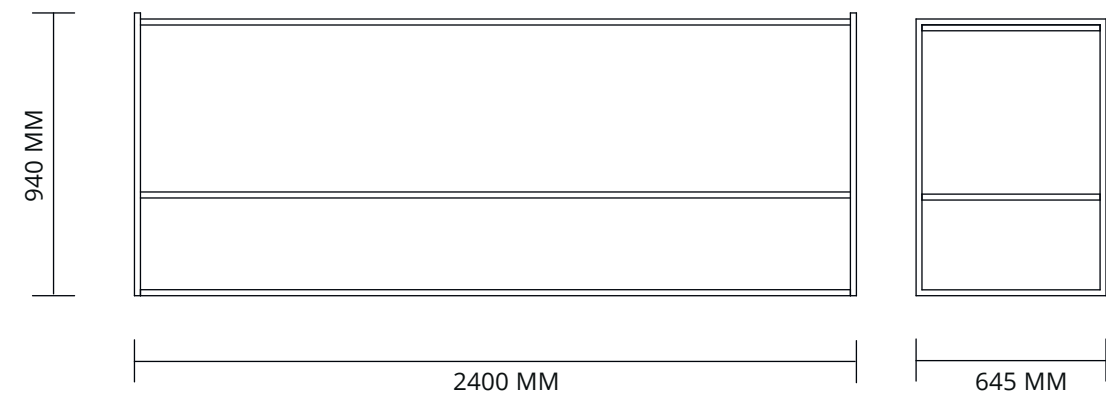


SDP 045



FRONT
VIEW

SIDE
VIEW



**SANITARY
SERIES**

SDP 046



STAND SIZE
940X2400X645 (LWH)

SIZE OF PCS
12X18 / 12X24 INCH

NUMBER OF PCS
6

**PRODUCT
DETAILS**

TYPE
MS PIPE

PIPE SIZE
25 X 25 MM

COATING
POWDER COATING

WEIGHT
50 KG (APPROX)

**SANITARY
SERIES**

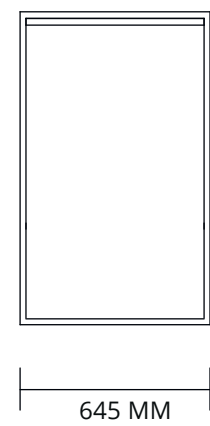
AVAILABLE COLORS



FRONT
VIEW



SIDE
VIEW



**MINIAURE
SERIES**

SDP 047



STANDSIZE
1300 X 1300X 1556 (LWH)

SIZE OF PCS
12 X 18 / 12 X 24 INCH

NUMBER OF PCS

17

PRODUCT
DETAILS

TYPE
MS PIPE

PIPE SIZE
40 X 40 INCH

COATING
POWDER COATING

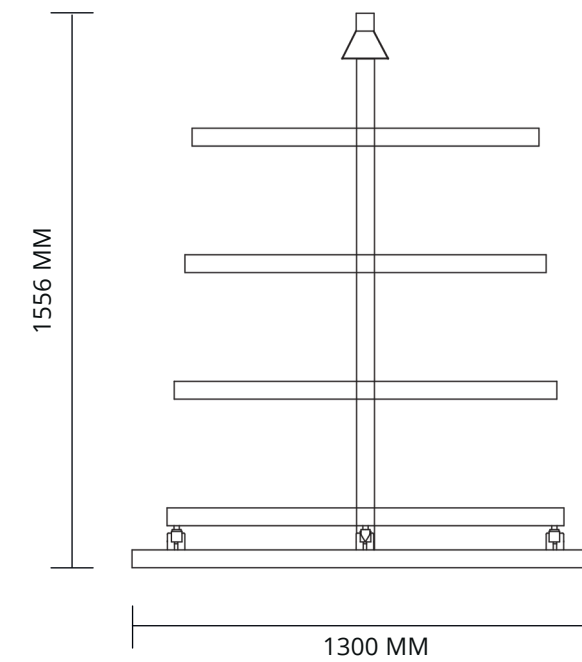
WEIGHT
40 KG (APPROX)

**MINIATURE
SERIES**

AVAILABLE COLORS



FRONT
VIEW



**MINIAURE
SERIES**

SDP 048



STANDSIZE
1300 X 1300X 1556 (LWH)

SIZE OF PCS
12 X 18 / 12 X 24 INCH

NUMBER OF PCS

16

PRODUCT
DETAILS

TYPE
MS PIPE

PIPE SIZE
25 X 25 INCH

COATING
POWDER COATING

WEIGHT
20 KG (APPROX)

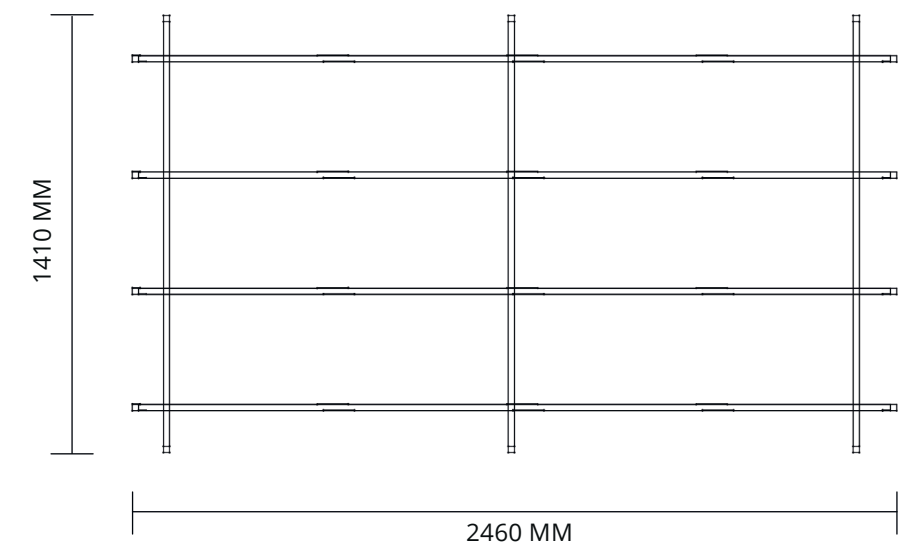
**MINIATURE
SERIES**



AVAILABLE COLORS

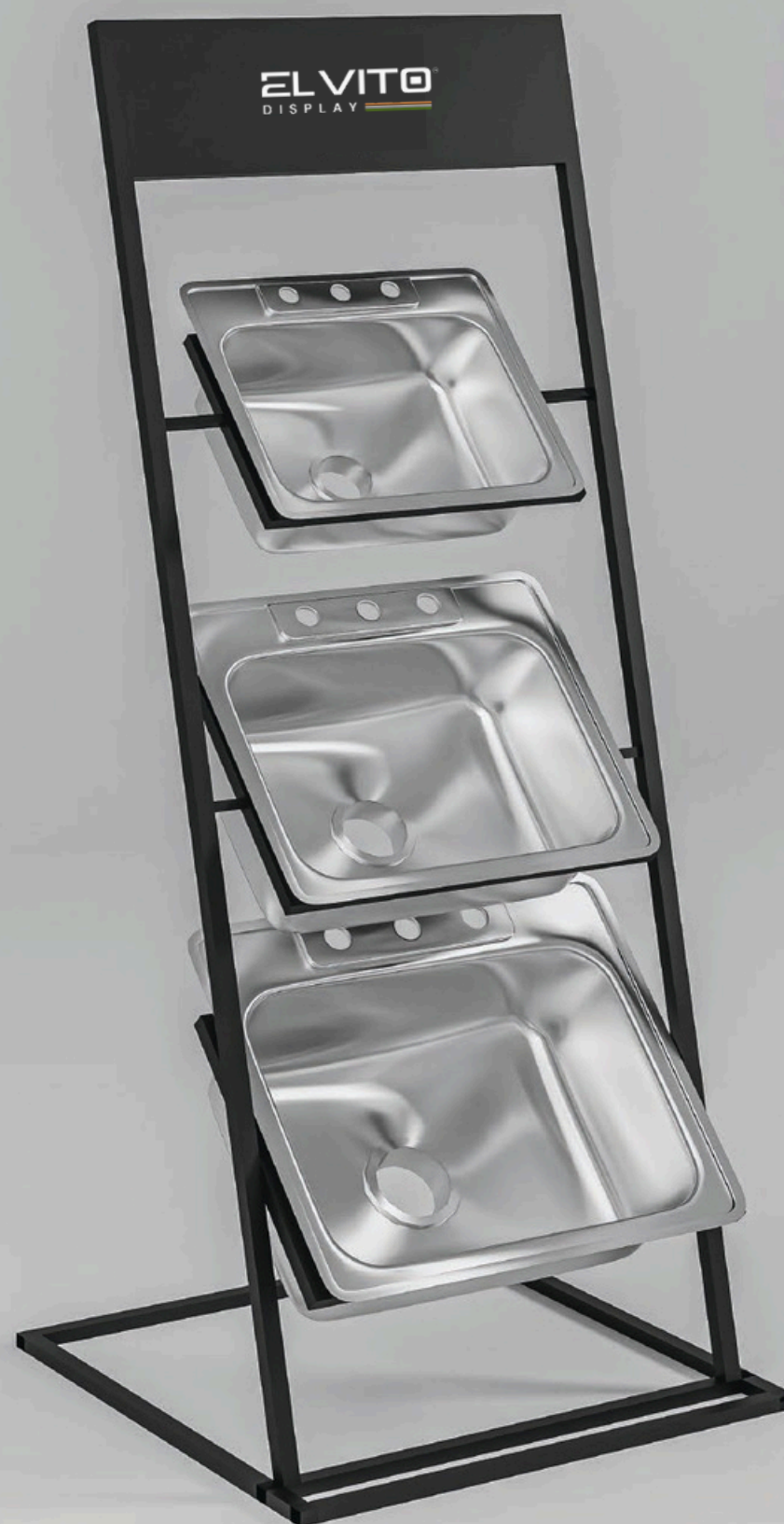


FRONT
VIEW



**MINIAURE
SERIES**

SDP 049



STANDSIZE
755 X 660 X1850 (LWH)

SIZE OF PCS
16 X 24 / 18 X 24 / 20 X 24 INCH
NUMBER OF PCS
3

**PRODUCT
DETAILS**

TYPE
STEEL PIPE

PIPE SIZE
25 X 25 INCH
WEIGHT
10 KG (APPROX)

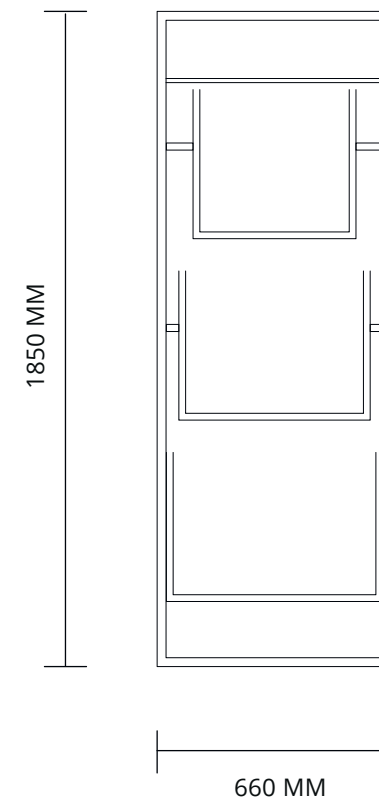
**MINIATURE
SERIES**



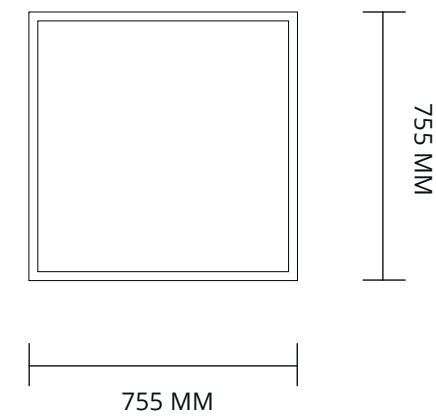
AVAILABLE COLORS



FRONT
VIEW



TOP
VIEW



**MINIAURE
SERIES**

SDP 050



STANDSIZE
500 X 550 X550 (LWH)
NUMBER OF PCS
1

**PRODUCT
DETAILS**

TYPE
MS PIPE

PIPE SIZE
50 X 50 INCH
WEIGHT
7 KG (APPROX)

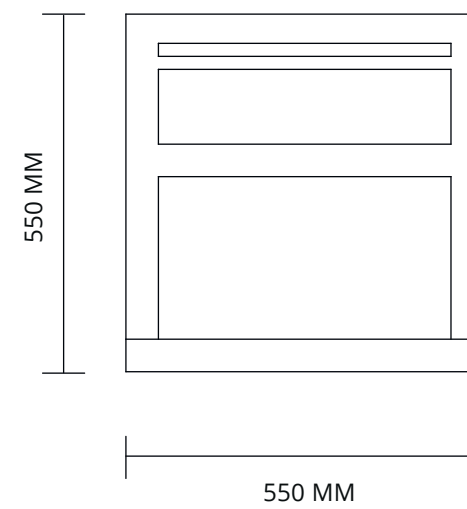
**MINIATURE
SERIES**



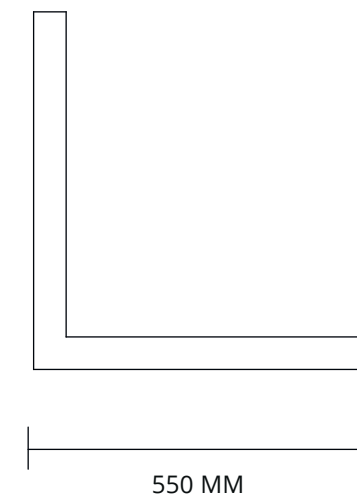
AVAILABLE COLORS



FRONT
VIEW

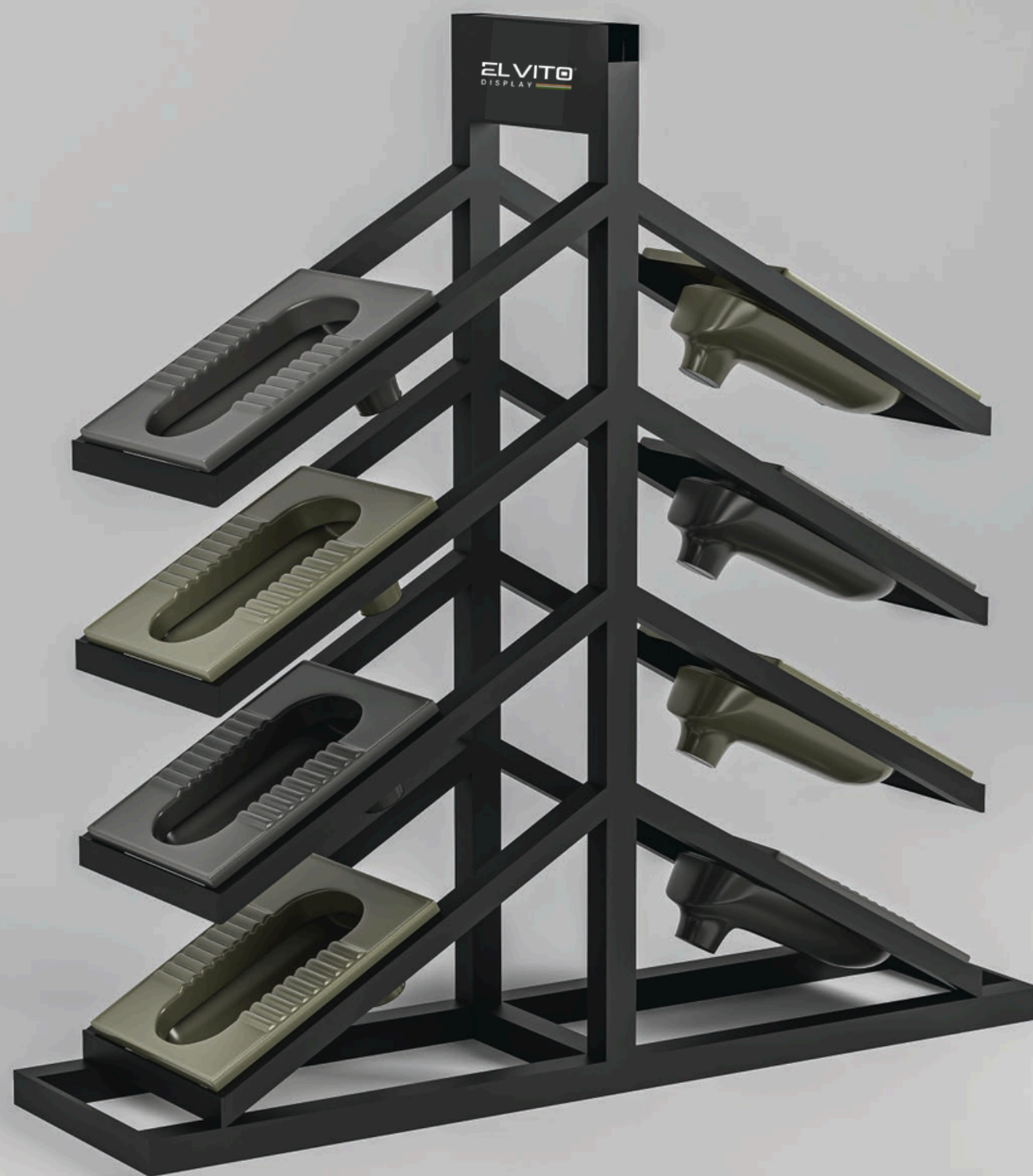


SIDE
VIEW



**MINIAURE
SERIES**

SDP 051



STAND SIZE
1500 X 410 X 1830 (LWH)
NUMBER OF PCS
1

**PRODUCT
DETAILS**

TYPE
MS PIPE

PIPE SIZE
50 X 50 INCH
WEIGHT
7 KG (APPROX)

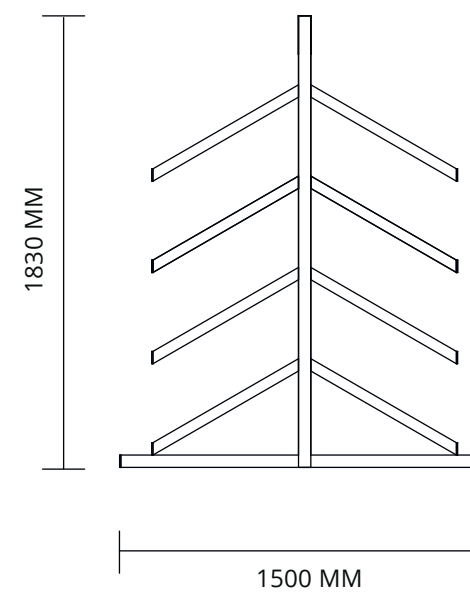
**MINIATURE
SERIES**



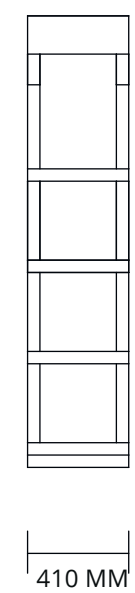
AVAILABLE COLORS



FRONT
VIEW



SIDE
VIEW



MINIATURE



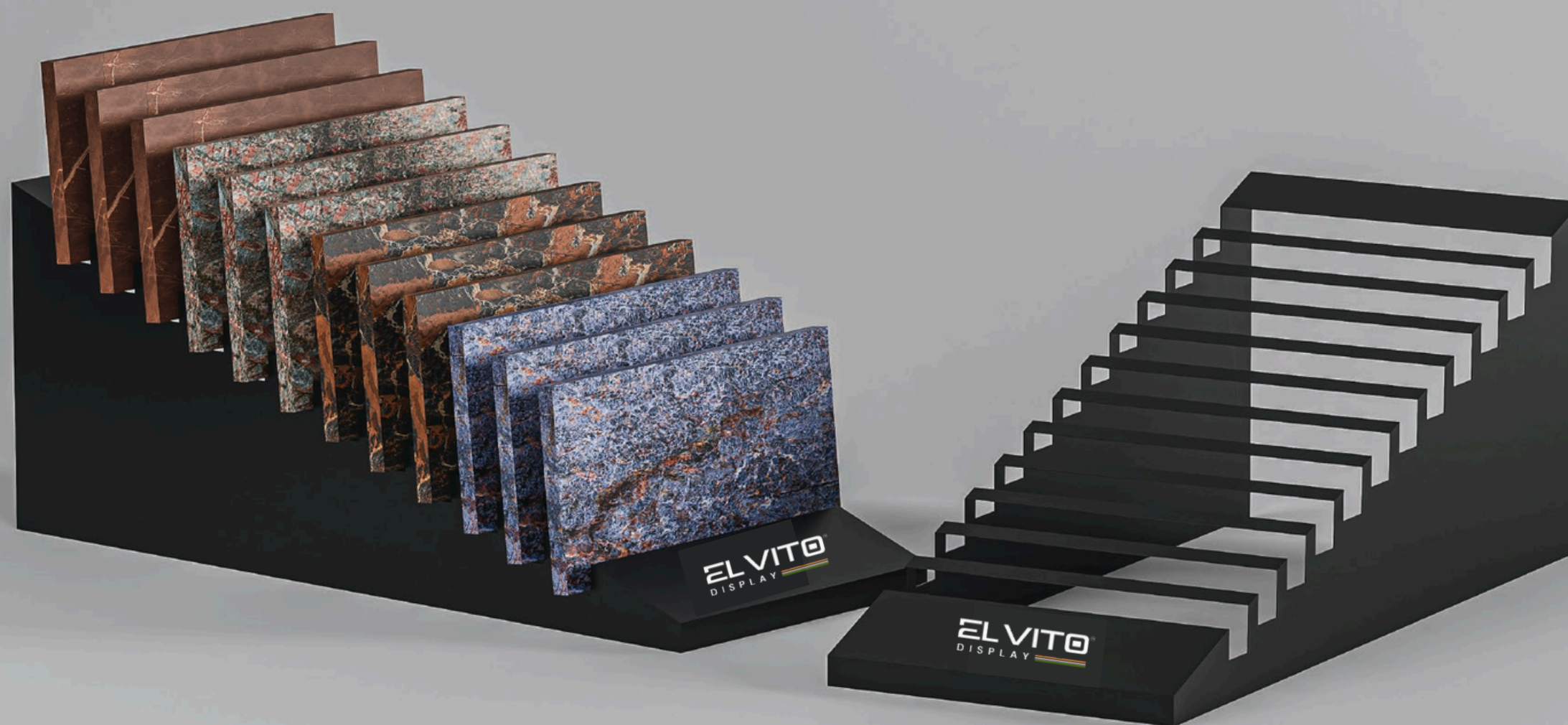
**COMPACT DISPLAY,
MAXIMUM IMPACT**

Introducing the Miniature Series by ELVITO Display, a range of compact and stylish mini tile sample stands designed to showcase your tile collections with maximum efficiency. Perfect for small showrooms, exhibitions, or customer presentations, these stands are built to hold smaller tile samples while maintaining a professional and attractive display. The sleek, space-saving design allows for easy transportation and setup, making them ideal for on-the-go sales teams or businesses with limited display space. With customizable finishes and a durable build, the Miniature Series ensures that even the smallest details of your tile offerings are presented with sophistication and clarity.

MINIATURE SERIES

MINIAURE
SERIES

SDP 052



STAND SIZE
440X180X175 (LWH)

SIZE OF TILES
300 X150 / 200X 200 / 100 X 200
AS PER REQUIREMENT

NUMBER OF TILES
10

TILES THICKNESS
09 / 15MM

**PRODUCT
DETAILS**

TYPE
MS PLATE

PLATE THICKNESS
1.5 MM

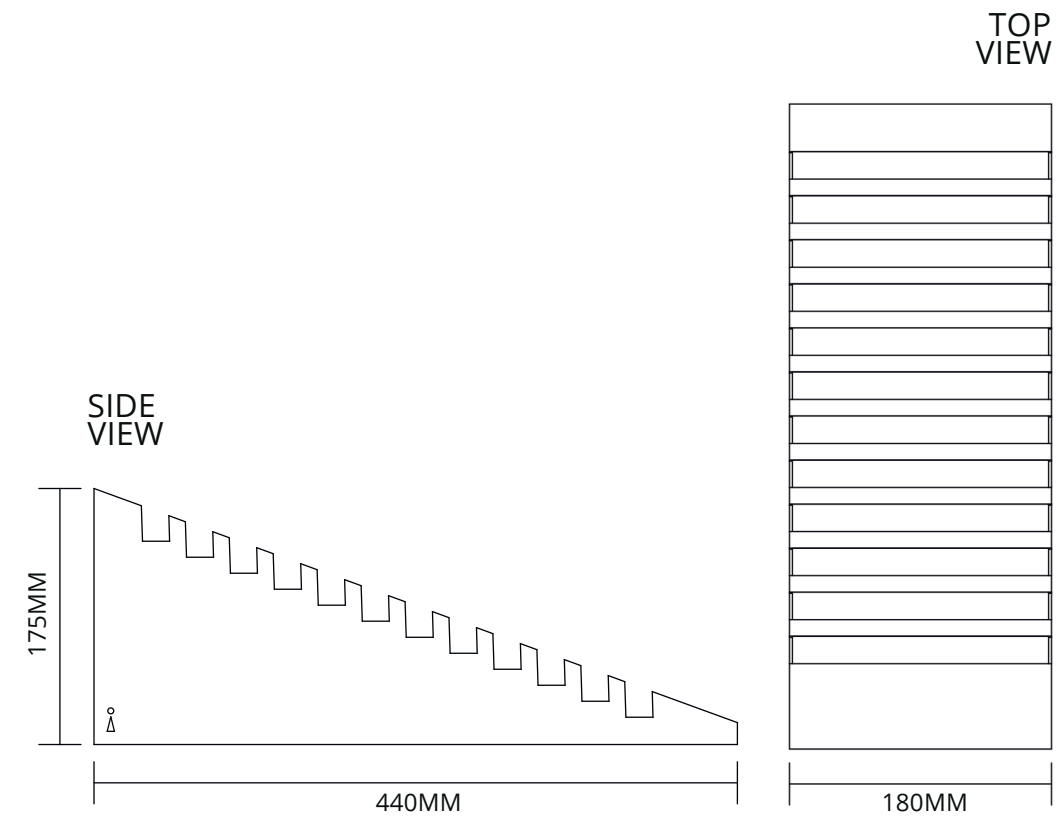
COATING
POWDER COATING

WEIGHT
03 KG (APPROX)

**MINIATURE
SERIES**



AVAILABLE COLORS



MINIAURE
SERIES

SDP 053



STAND SIZE
400X154X175 (LWH)

SIZE OF TILES
**300 X150 / 200X 200 / 100 X 200 /
AS PER REQUIREMENT**

NUMBER OF TILES
11

TILES THICKNESS
09 / 15MM

**PRODUCT
DETAILS**

TYPE
MS PLATE

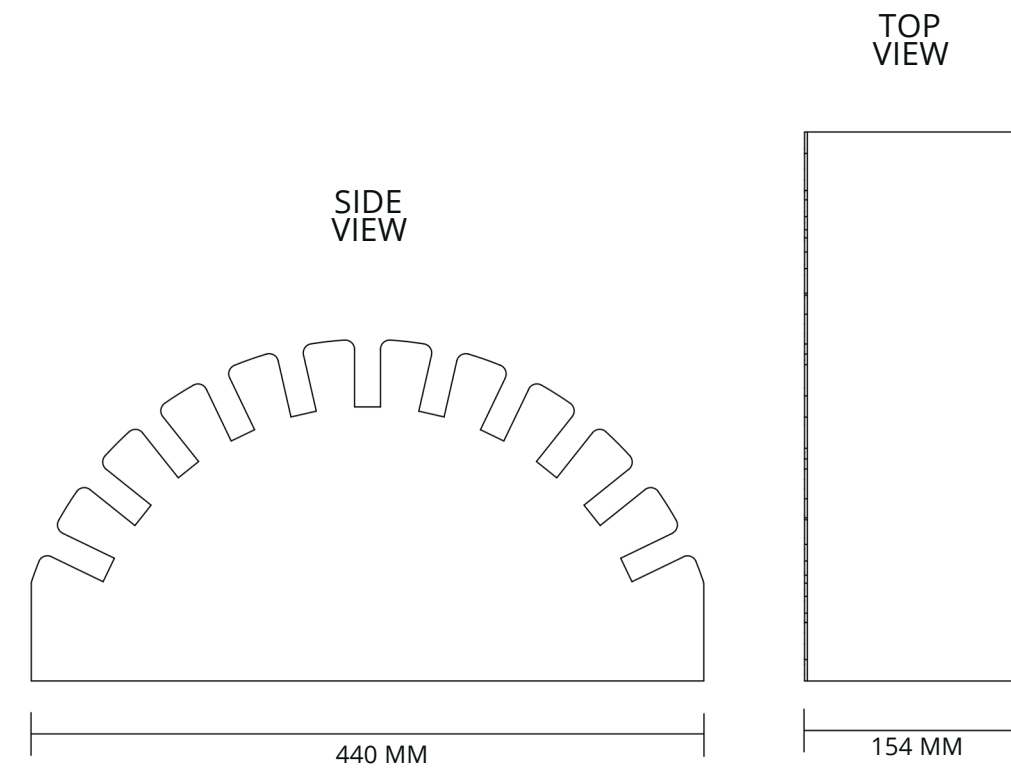
PLATE THICKNESS
1.5 MM

COATING
POWDER COATING

WEIGHT
1.5 KG (APPROX)

**MINIATURE
SERIES**

AVAILABLE COLORS



**MINIAURE
SERIES**

SDP 054



STAND SIZE
290 X 80 X 50 (LWH)

SIZE OF TILES
**300 X150 / 200X 200 / 100 X 200 /
AS PER REQUIREMENT**

NUMBER OF TILES
10

TILES THICKNESS
09 / 15MM

**PRODUCT
DETAILS**

TYPE
MS PLATE

PLATE THICKNESS
1.5 MM

COATING
POWDER COATING

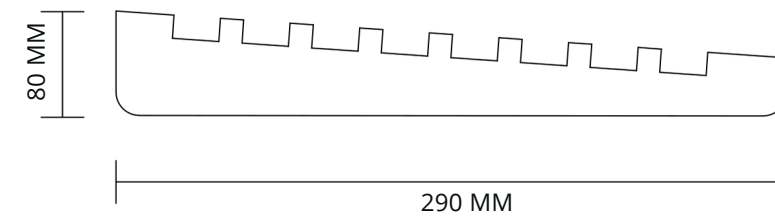
WEIGHT
1 KG (APPROX)

**MINIATURE
SERIES**

AVAILABLE COLORS



SIDE
VIEW



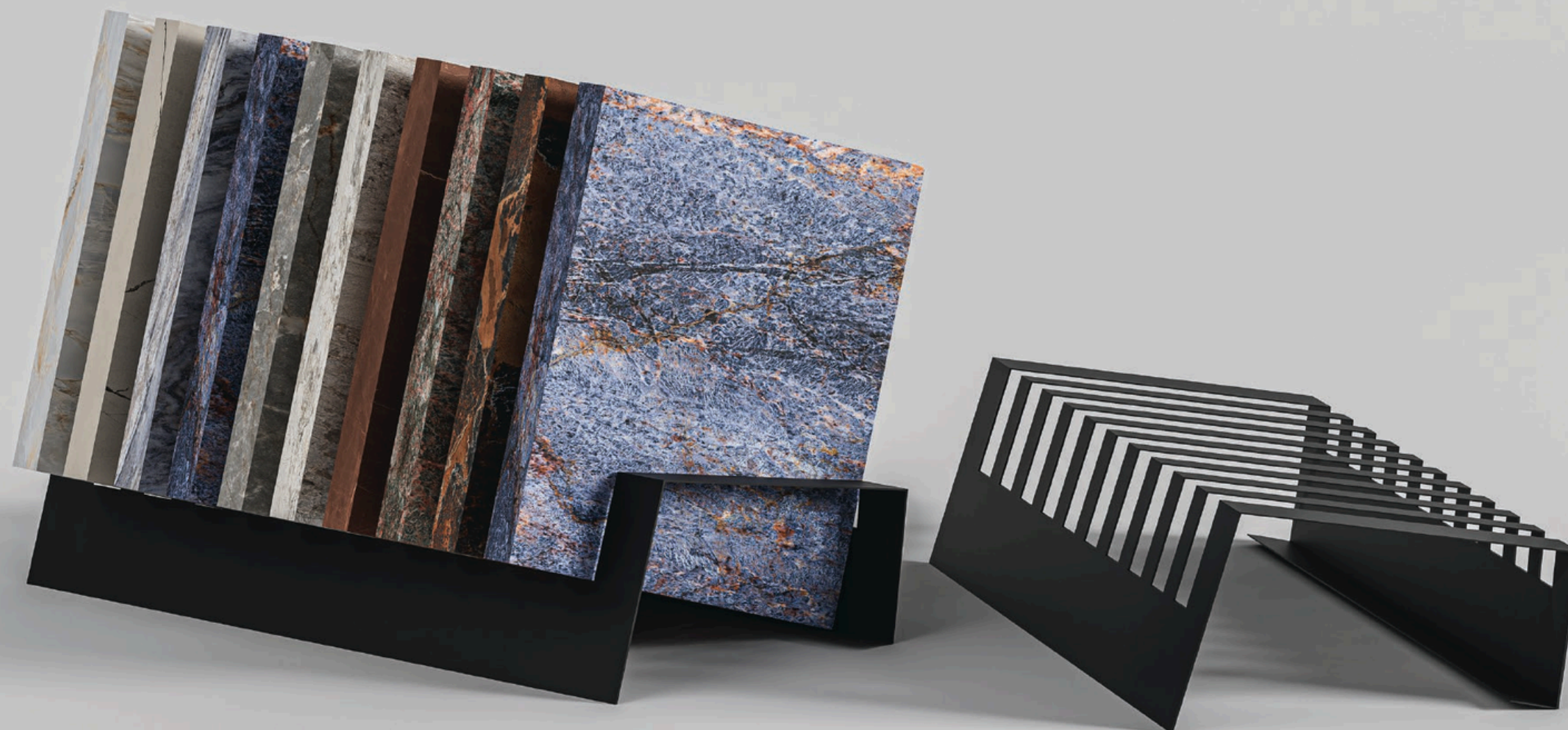
TOP
VIEW



50 MM

**MINIAURE
SERIES**

SDP 055



STAND SIZE
360X160X90 (LWH)

SIZE OF TILES
**300 X150 / 200X 200 / 100 X 200 /
AS PER REQUIREMENT**

NUMBER OF TILES
10

TILES THICKNESS
09 / 15MM

**PRODUCT
DETAILS**

TYPE
MS PLATE

PLATE THICKNESS
1.5 MM

COATING
POWDER COATING

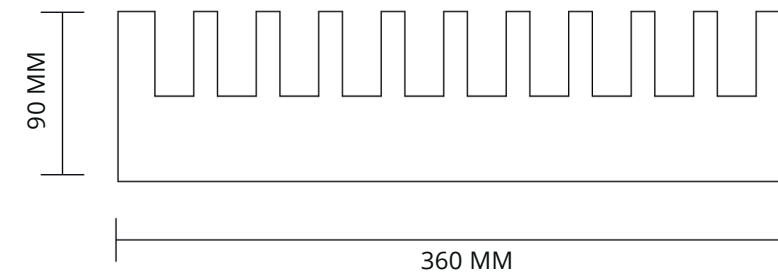
WEIGHT
1 KG (APPROX)

**MINIATURE
SERIES**

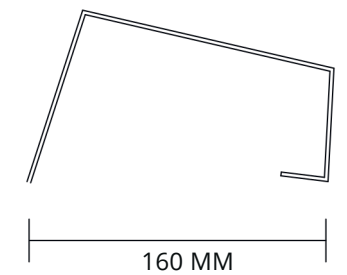
AVAILABLE COLORS



FRONT
VIEW

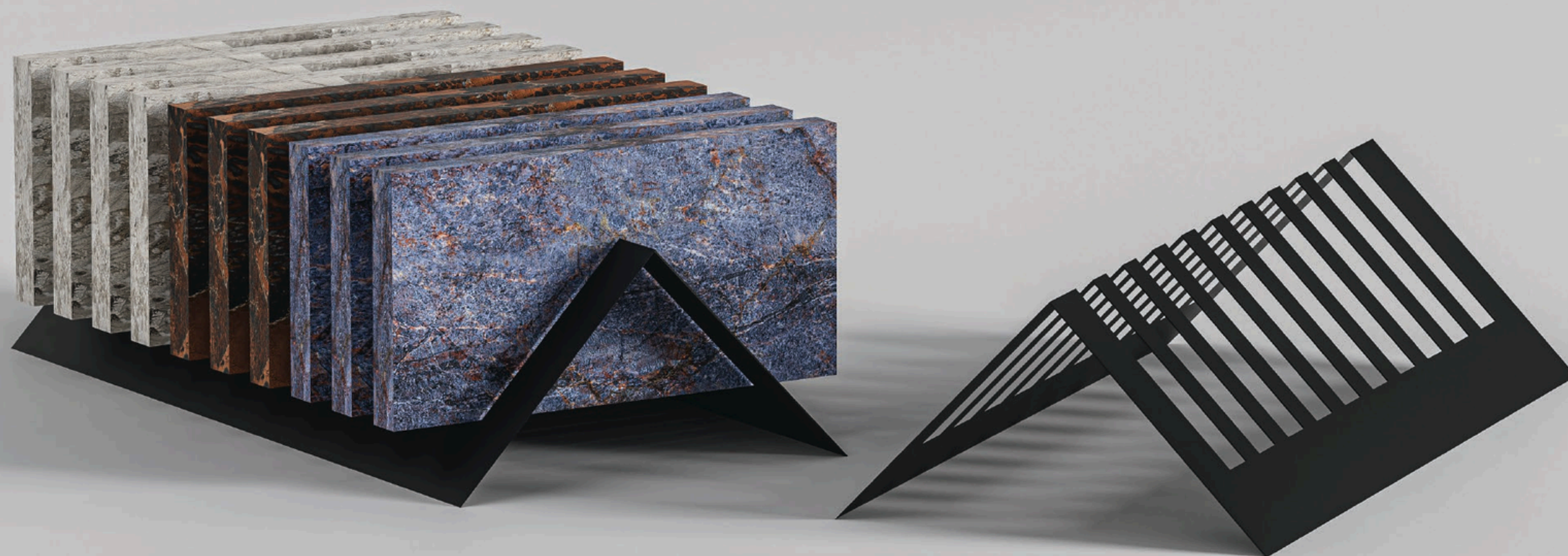


SIDE
VIEW



**MINIAURE
SERIES**

SDP 056



STAND SIZE
360X175X90 (LWH)

SIZE OF TILES
**300 X150 / 200X 200 / 100 X 200 /
AS PER REQUIREMENT**

NUMBER OF TILES
10

TILES THICKNESS
09 / 15MM

**PRODUCT
DETAILS**

TYPE
MS PLATE

PLATE THICKNESS
1.5 MM

COATING
POWDER COATING

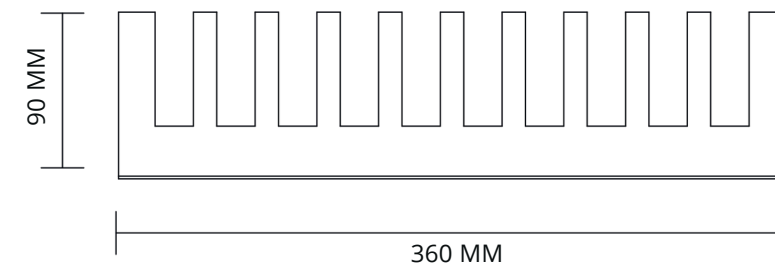
WEIGHT
1 KG (APPROX)

**MINIATURE
SERIES**

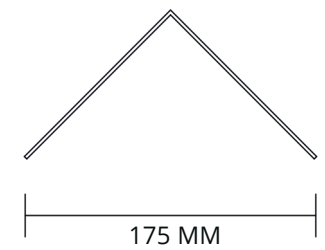
AVAILABLE COLORS



SIDE
VIEW

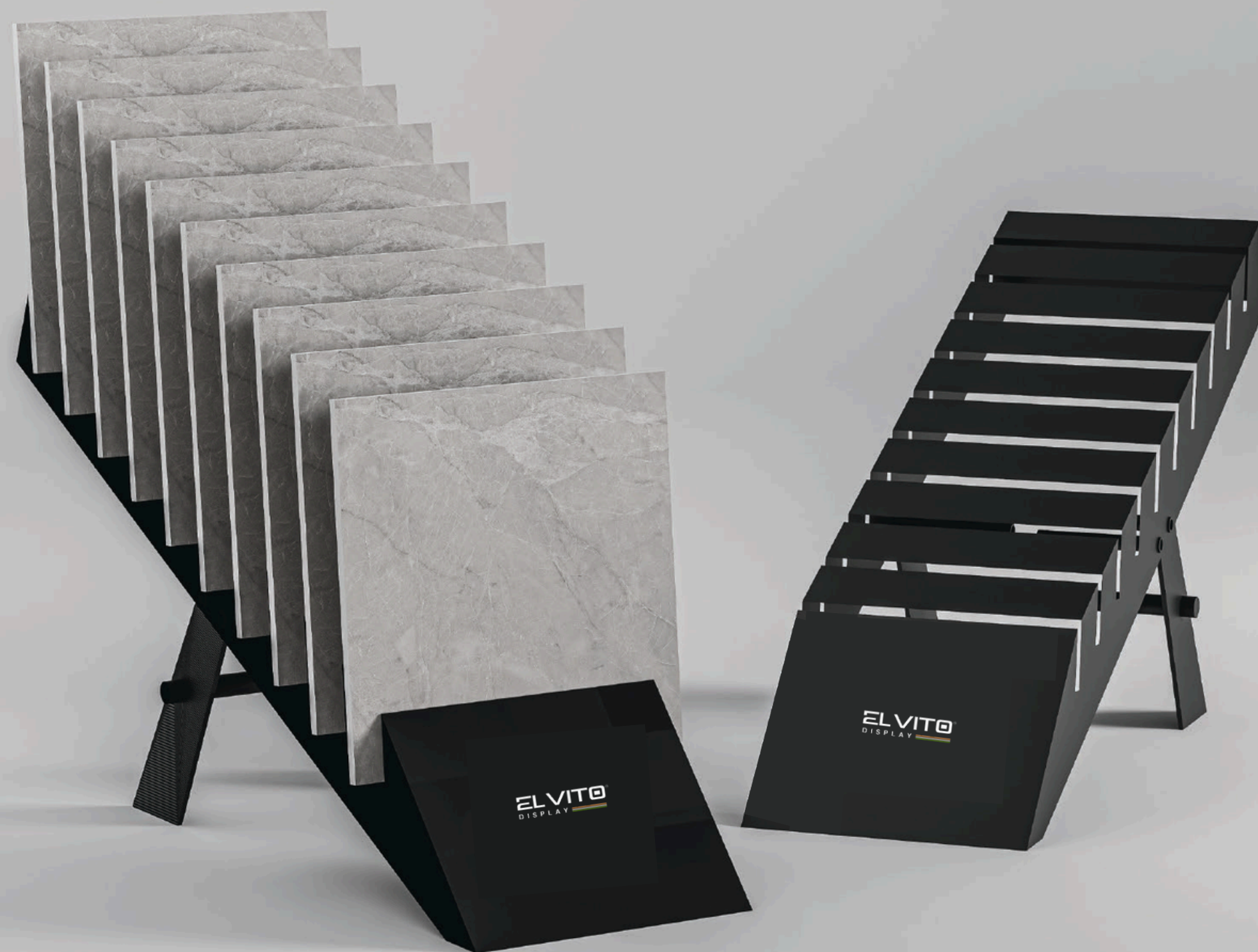


TOP
VIEW



**MINIAURE
SERIES**

SDP 057



STAND SIZE
360X175X90 (LWH)

SIZE OF TILES
300X300 / 400X400

NUMBER OF TILES
10

TILES THICKNESS
09

**PRODUCT
DETAILS**

TYPE
MS PLATE

PLATE THICKNESS
1.5 MM

COATING
POWDER COATING

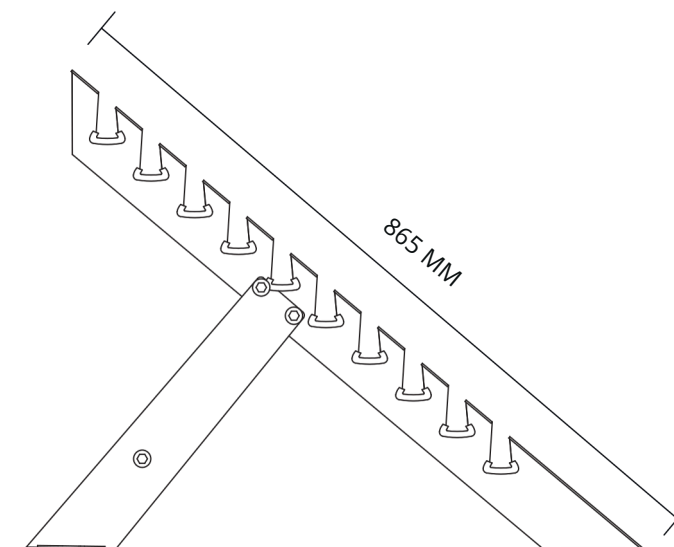
WEIGHT
7 KG(APPROX)

**MINIATURE
SERIES**

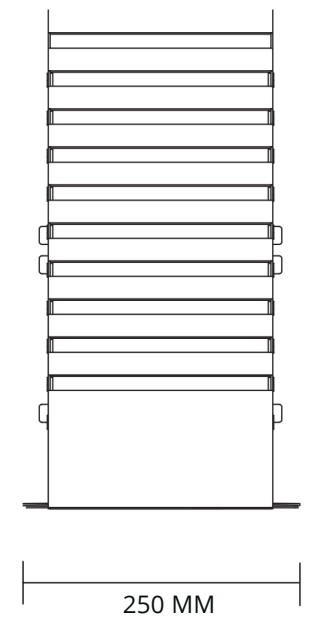
AVAILABLE COLORS



SIDE
VIEW

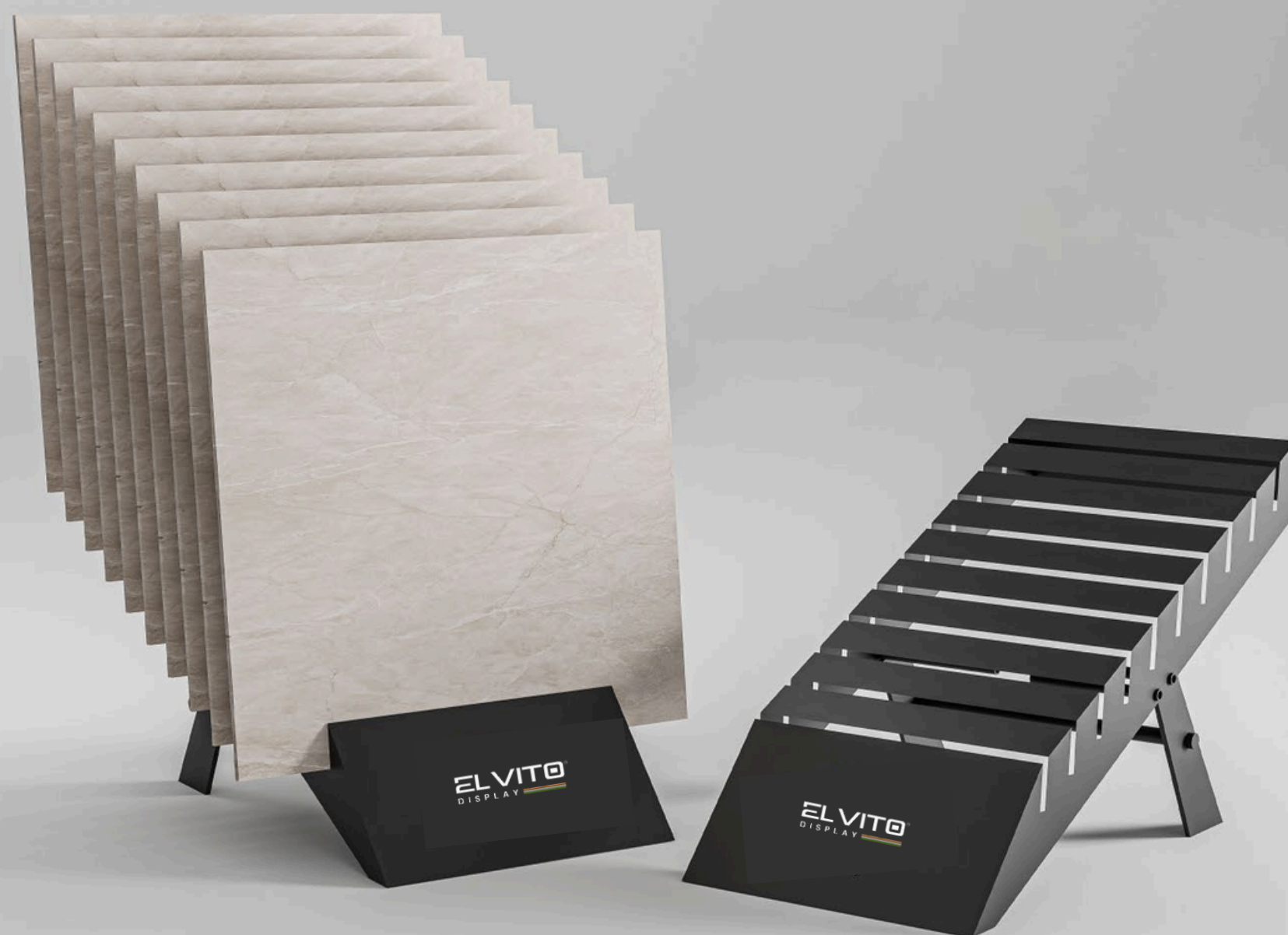


FRONT
VIEW



**MINIAURE
SERIES**

SDP 058



STAND SIZE
360X175X90 (LWH)

SIZE OF TILES
600X600 / 800X 800

NUMBER OF TILES
10

TILES THICKNESS
09

**PRODUCT
DETAILS**

TYPE
MS PLATE

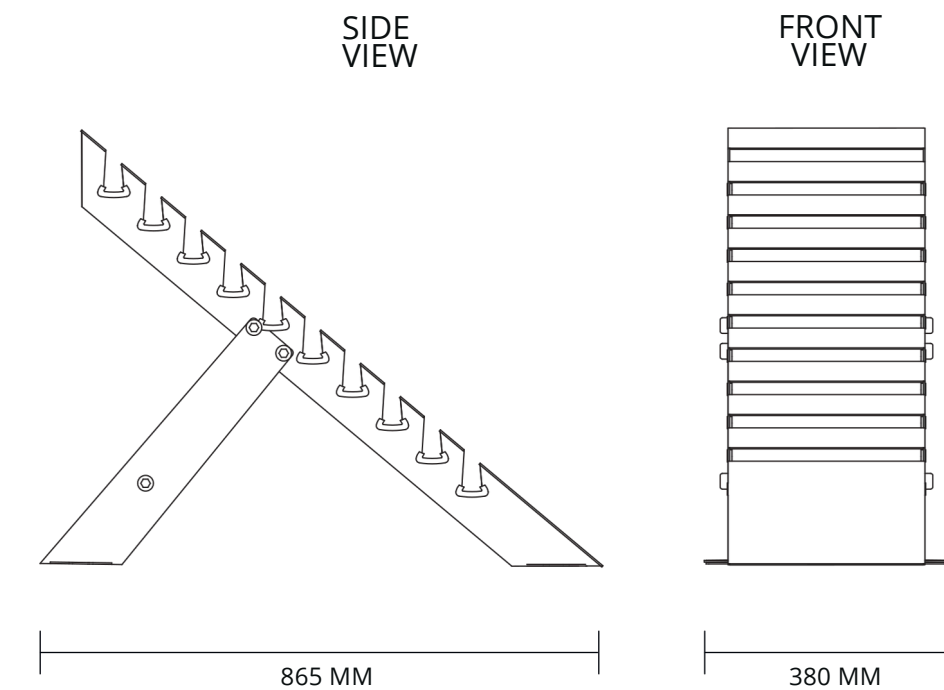
PLATE THICKNESS
1.5 MM

COATING
POWDER COATING

WEIGHT
09 KG (APPROX)

**MINIATURE
SERIES**

AVAILABLE COLORS



**MINIAURE
SERIES**

SDP 059



STAND SIZE
360X175X90 (LWH)

SIZE OF TILES
600X600 / 800X 800

NUMBER OF TILES
10

TILES THICKNESS
09

**PRODUCT
DETAILS**

TYPE
MS PLATE

PLATE THICKNESS
1.5 MM

COATING
POWDER COATING

WEIGHT
09 KG (APPROX)

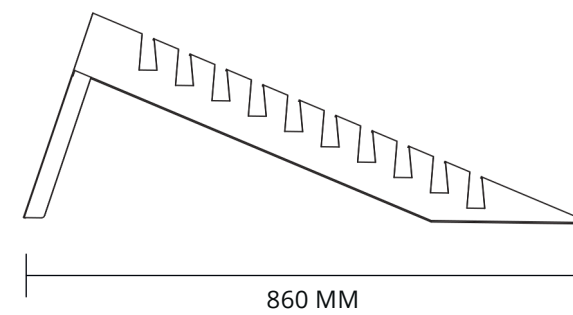
**MINIATURE
SERIES**



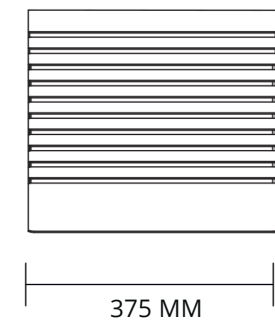
AVAILABLE COLORS



SIDE
VIEW

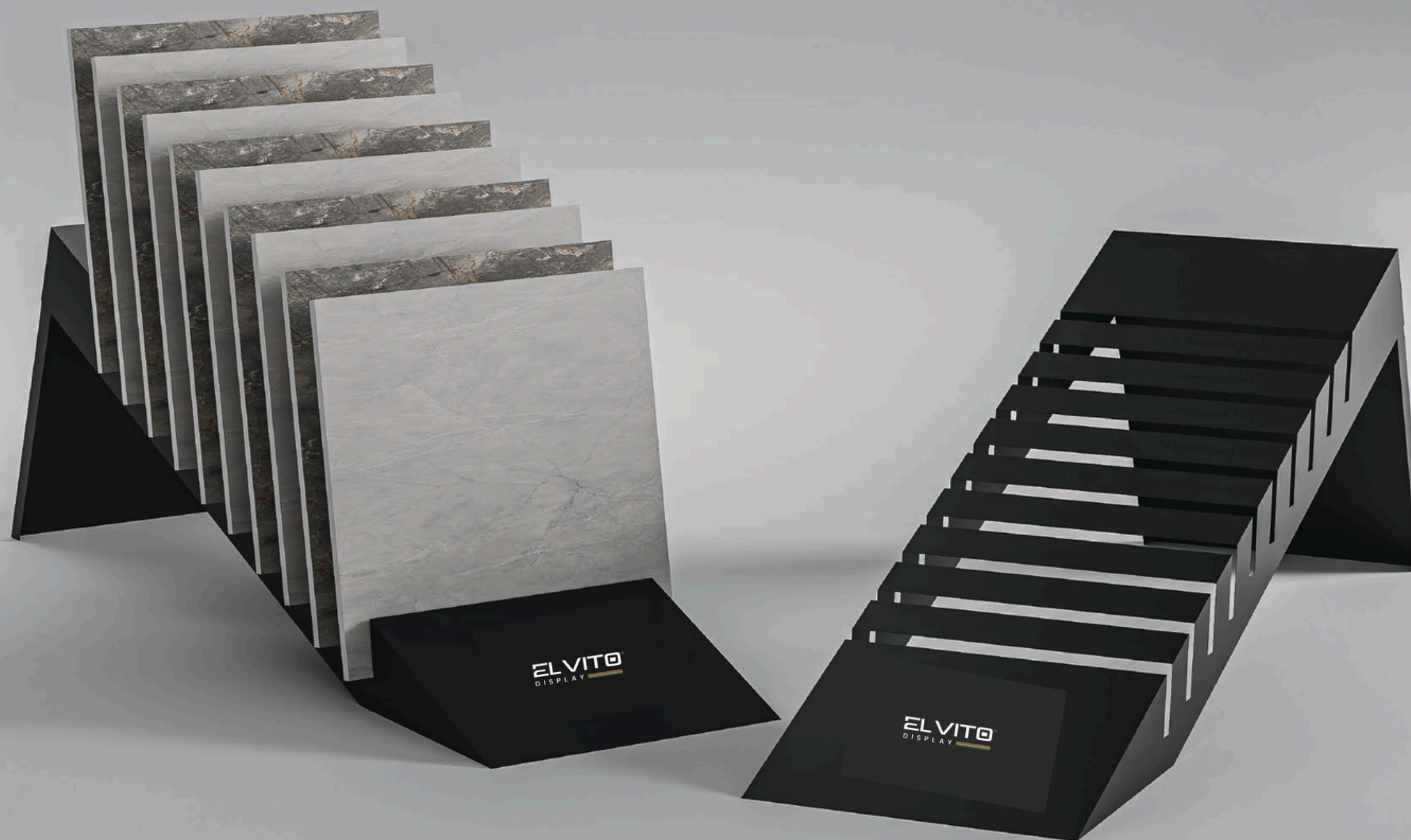


FRONT
VIEW



**MINIAURE
SERIES**

SDP 060



STANDSIZE
260 X 865 X330 (LWH)
TILES THICKNESS

09
NUMBER OF PANELS

01
NUMBER OF DISPLAY

10
SIZE OF TILES

300 X 300 MM

**PRODUCT
DETAILS**

TYPE
MS PIPE

MS PLATE
1.5 MM
COATING
POWDER COATING

WEIGHT
12 KG (APPROX)

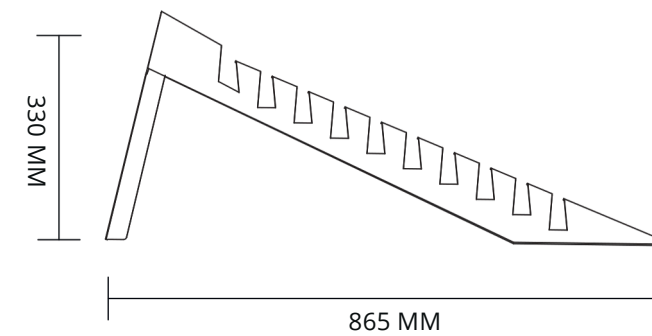
**MINIATURE
SERIES**



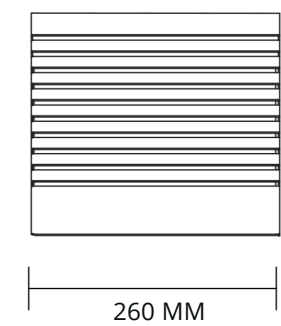
AVAILABLE COLORS



SIDE
VIEW



FRONT
VIEW



MINIAURE
SERIES

SDP 061



STAND SIZE
515X870X330 (LWH)

TILES THICKNESS
09

NUMBER OF PANELS
01

NUMBER OF DISPLAY
20

SIZE OF TILES
300 X 300 MM

**PRODUCT
DETAILS**

TYPE
MS PIPE

PLATE THICKNESS
1.5 MM

COATING
POWDER COATING

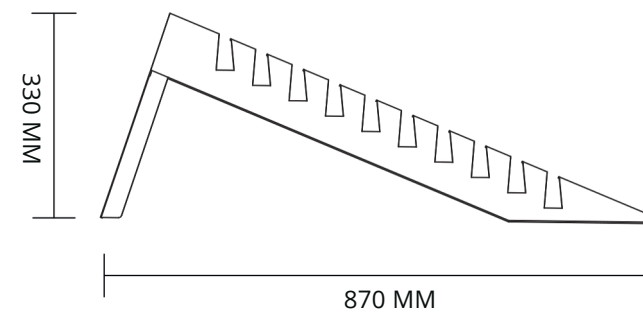
WEIGHT
09 KG (APPROX)

**MINIATURE
SERIES**

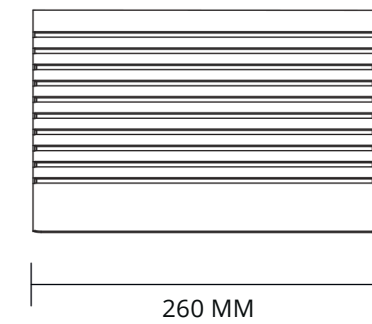
AVAILABLE COLORS



SIDE
VIEW

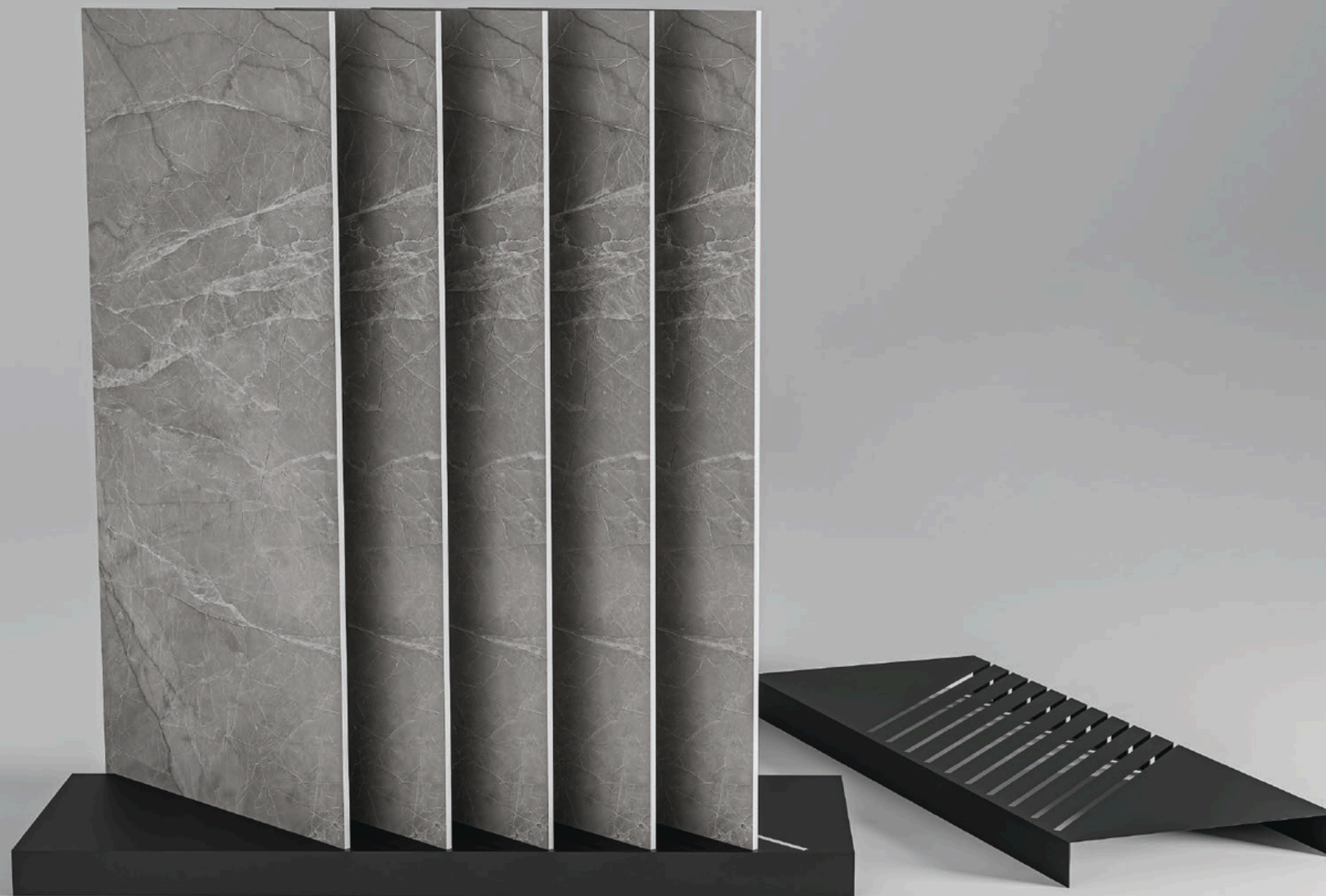


FRONT
VIEW



**MINIAURE
SERIES**

SDP 062



STAND SIZE
1155X430X65 (LWH)

TILES THICKNESS
09

NUMBER OF PANELS
01

NUMBER OF DISPLAY
10

SIZE OF TILES
600X600MM, 600 X 1200 MM, 800 X 1600 MM

**PRODUCT
DETAILS**

TYPE
MS PIPE

PLATE THICKNESS
1.5 MM

COATING
POWDER COATING

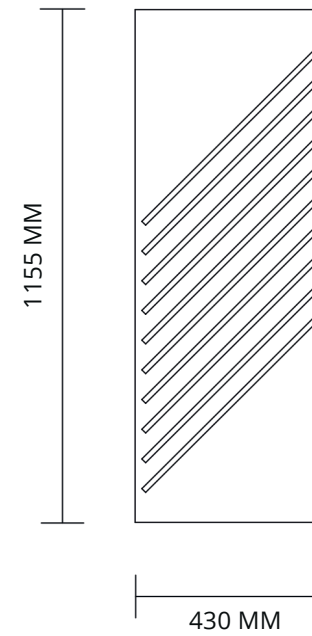
WEIGHT
15 KG (APPROX)

**MINIATURE
SERIES**

AVAILABLE COLORS



TOP
VIEW

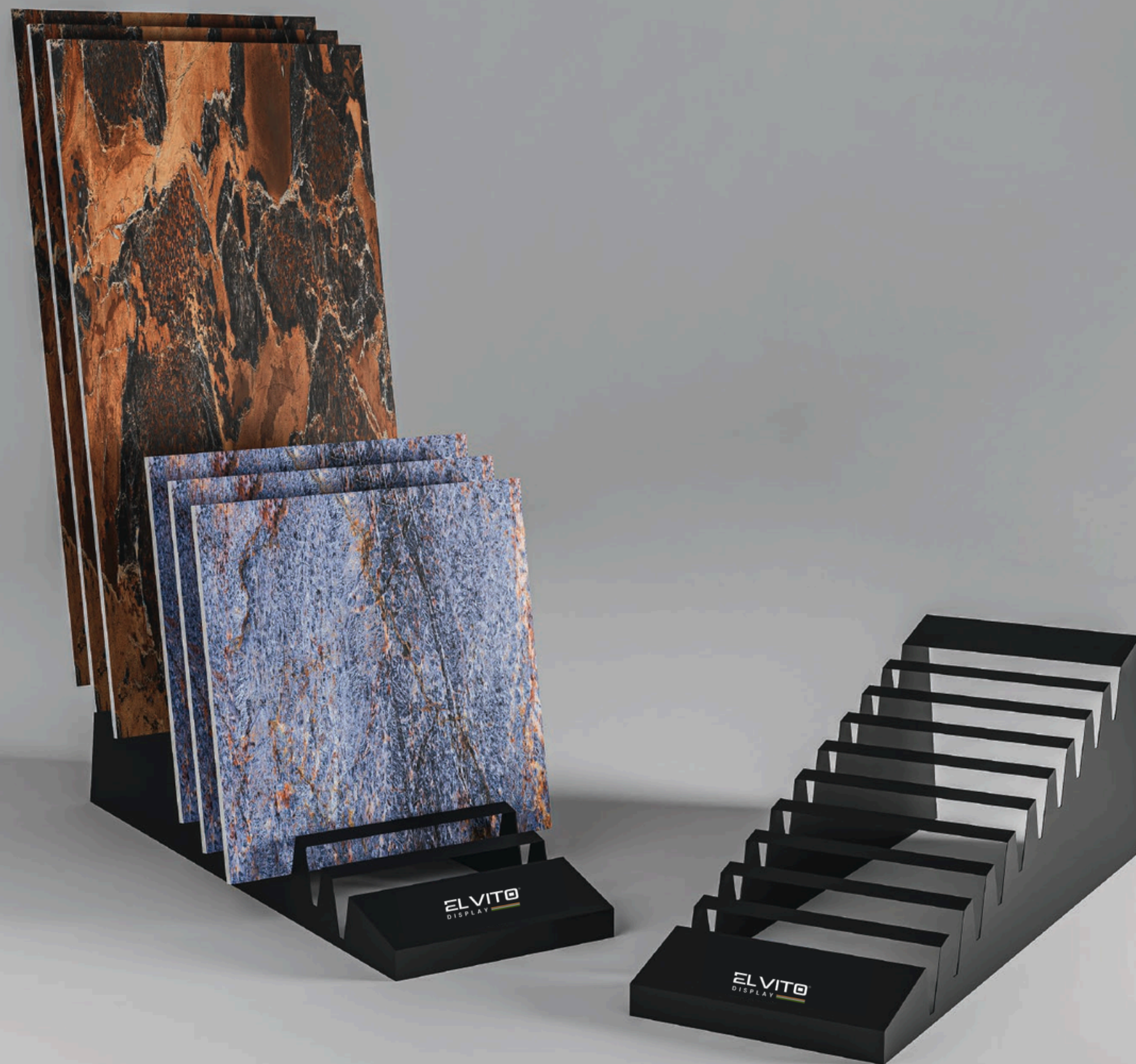


SIDE
VIEW



**MINIAURE
SERIES**

SDP 063



STAND SIZE
1200X390X405 (LWH)

TILES THICKNESS
15

NUMBER OF PANELS
01

NUMBER OF DISPLAY
10

SIZE OF TILES
600X600MM, 600 X 1200 MM

**PRODUCT
DETAILS**

TYPE
MS PIPE

PLATE THICKNESS
1.5 MM

COATING
POWDER COATING

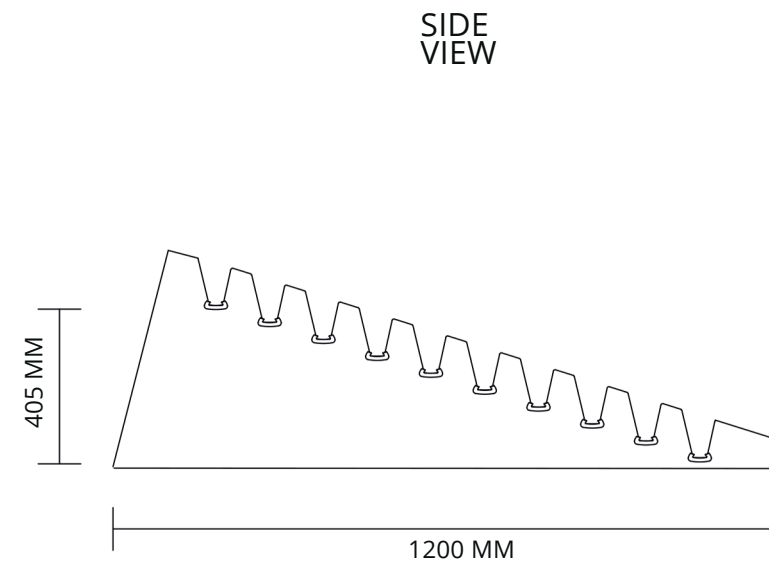
WEIGHT
19 KG (APPROX)

**MINIATURE
SERIES**

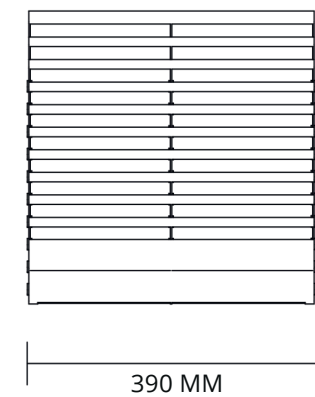
AVAILABLE COLORS



SIDE
VIEW

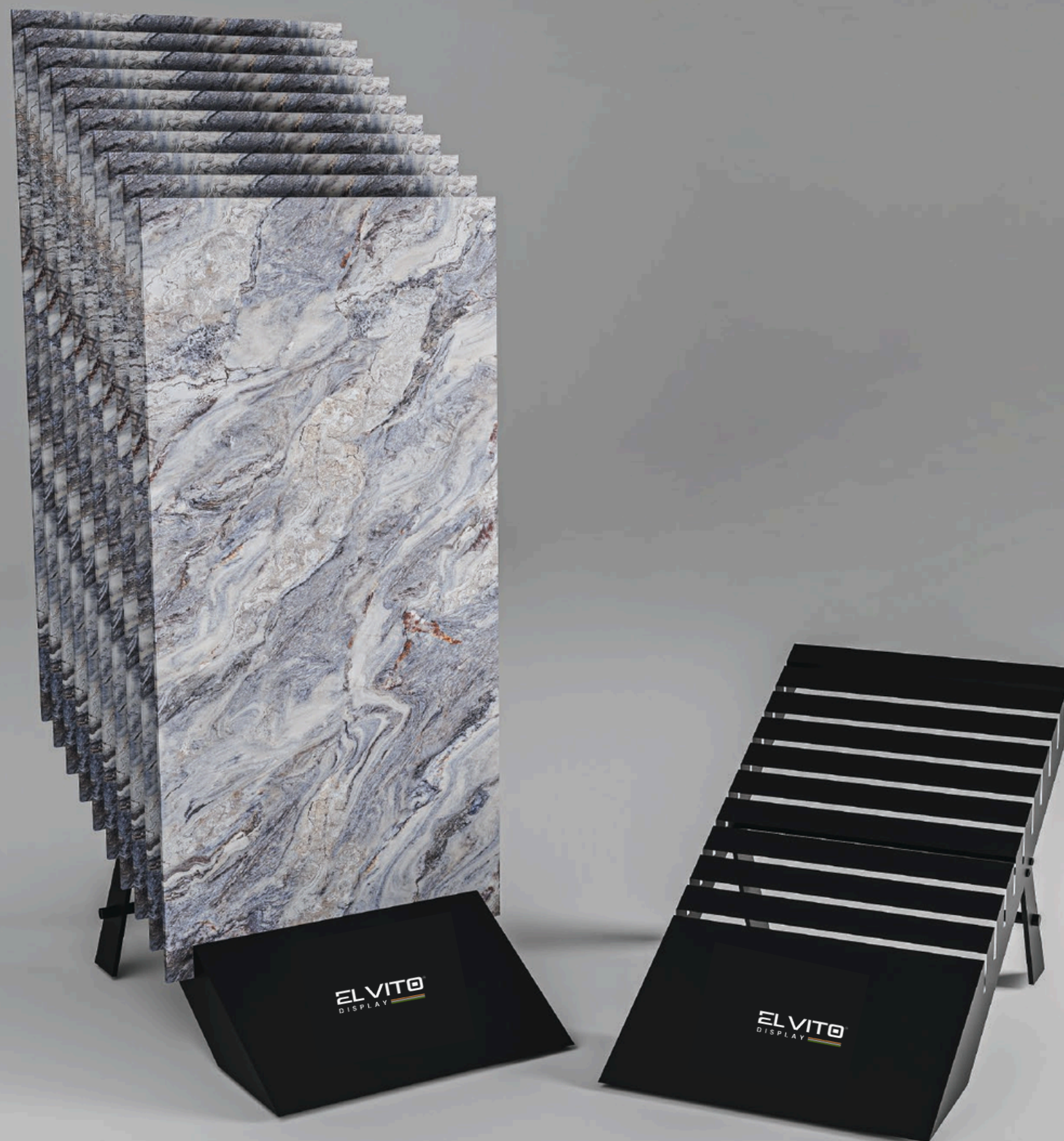


FRONT
VIEW



**MINIAURE
SERIES**

SDP 064



STAND SIZE
885X510X450 (LWH)

TILES THICKNESS
09

NUMBER OF PANELS
01

NUMBER OF DISPLAY
10

SIZE OF TILES
600X600MM, 600 X 1200 MM

**PRODUCT
DETAILS**

TYPE
MS PIPE

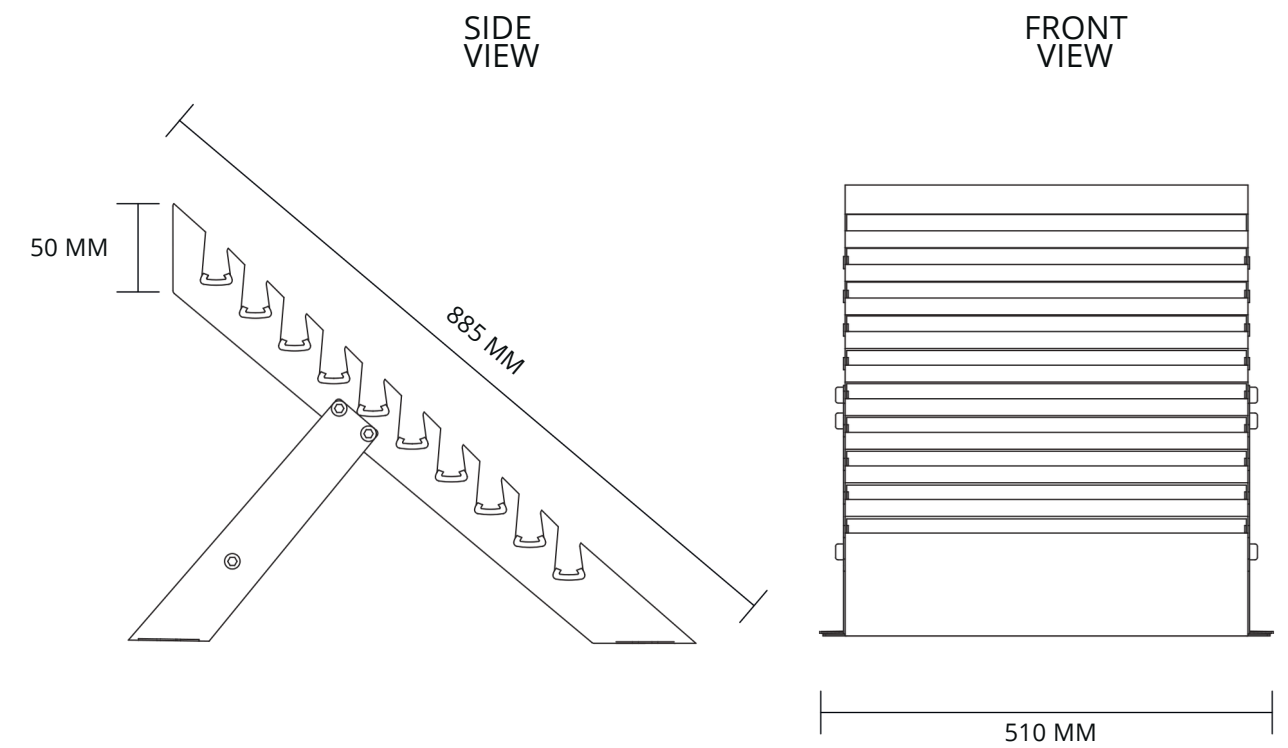
PLATE THICKNESS
1.5 MM

COATING
POWDER COATING

WEIGHT
12 KG (APPROX)

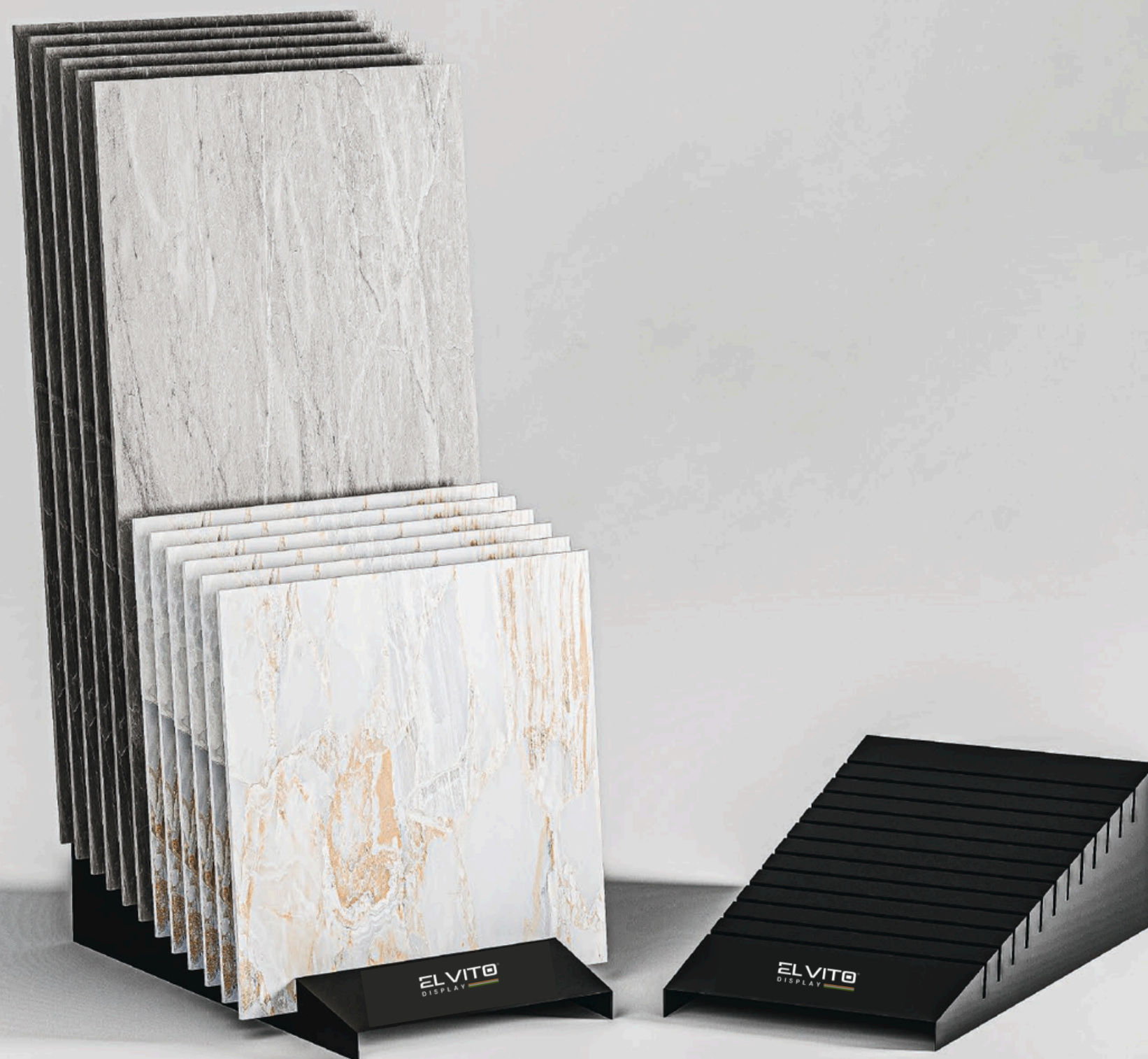
**MINIATURE
SERIES**

AVAILABLE COLORS



MINIAURE
SERIES

SDP 065



STAND SIZE
810X475X250 (LWH)

TILES THICKNESS
09

NUMBER OF PANELS
01

NUMBER OF DISPLAY
10

SIZE OF TILES
600X600MM, 600 X 1200 MM

**PRODUCT
DETAILS**

TYPE
MS PIPE

PLATE THICKNESS
1.5 MM

COATING
POWDER COATING

WEIGHT
12 KG (APPROX)

**MINIATURE
SERIES**

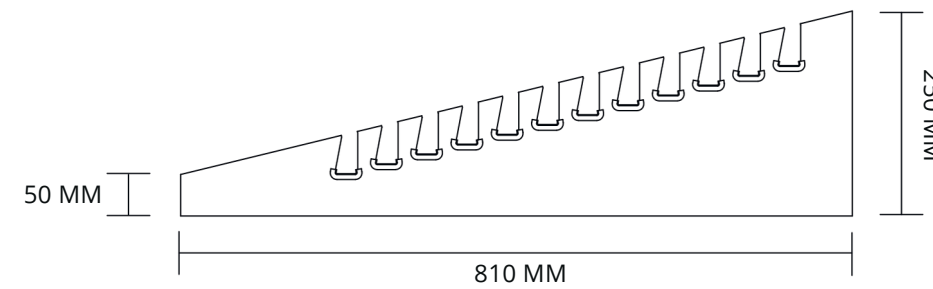
AVAILABLE COLORS



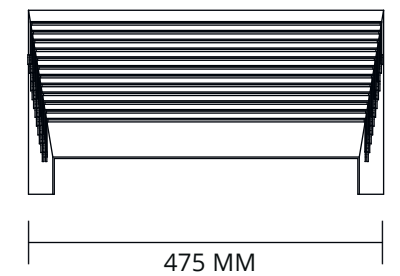
SDP 065

INNOVATING
DISPLAY
SOLUTIONS.

SIDE
VIEW

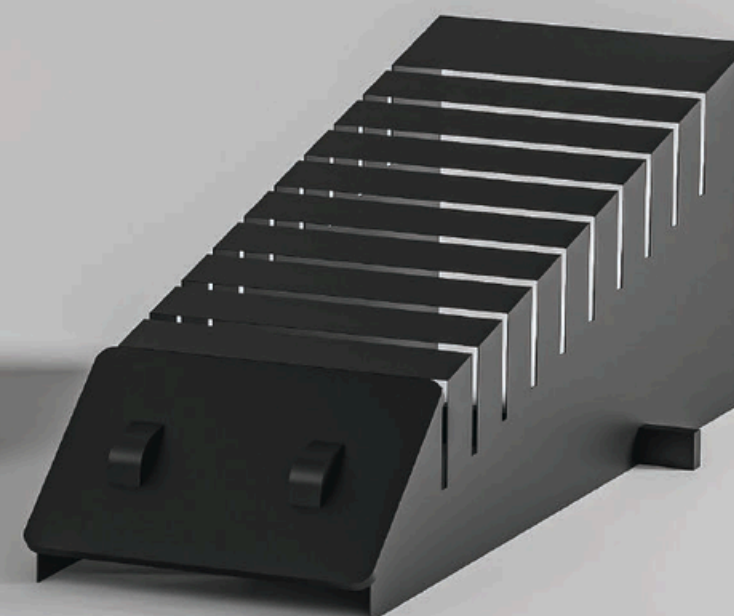


FRONT
VIEW



**MINIAURE
SERIES**

SDP 066



STAND SIZE
790X270X280 (LWH)

TILES THICKNESS
09

NUMBER OF PANELS
01

NUMBER OF DISPLAY
10

SIZE OF TILES
600X600MM, 600 X 1200 MM

**PRODUCT
DETAILS**

TYPE
MS PIPE

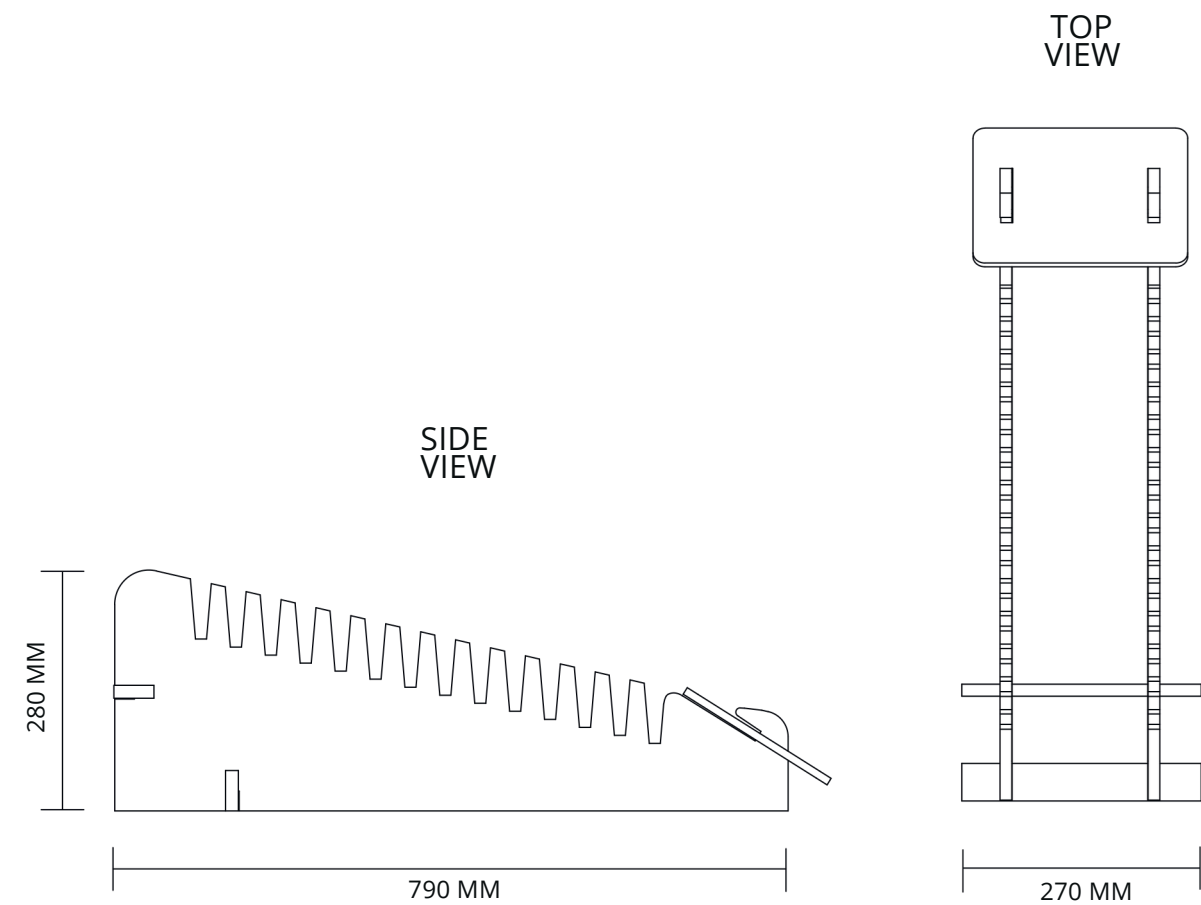
PLATE THICKNESS
15MM

COATING
POWDER COATING

WEIGHT
3.5 KG (APPROX)

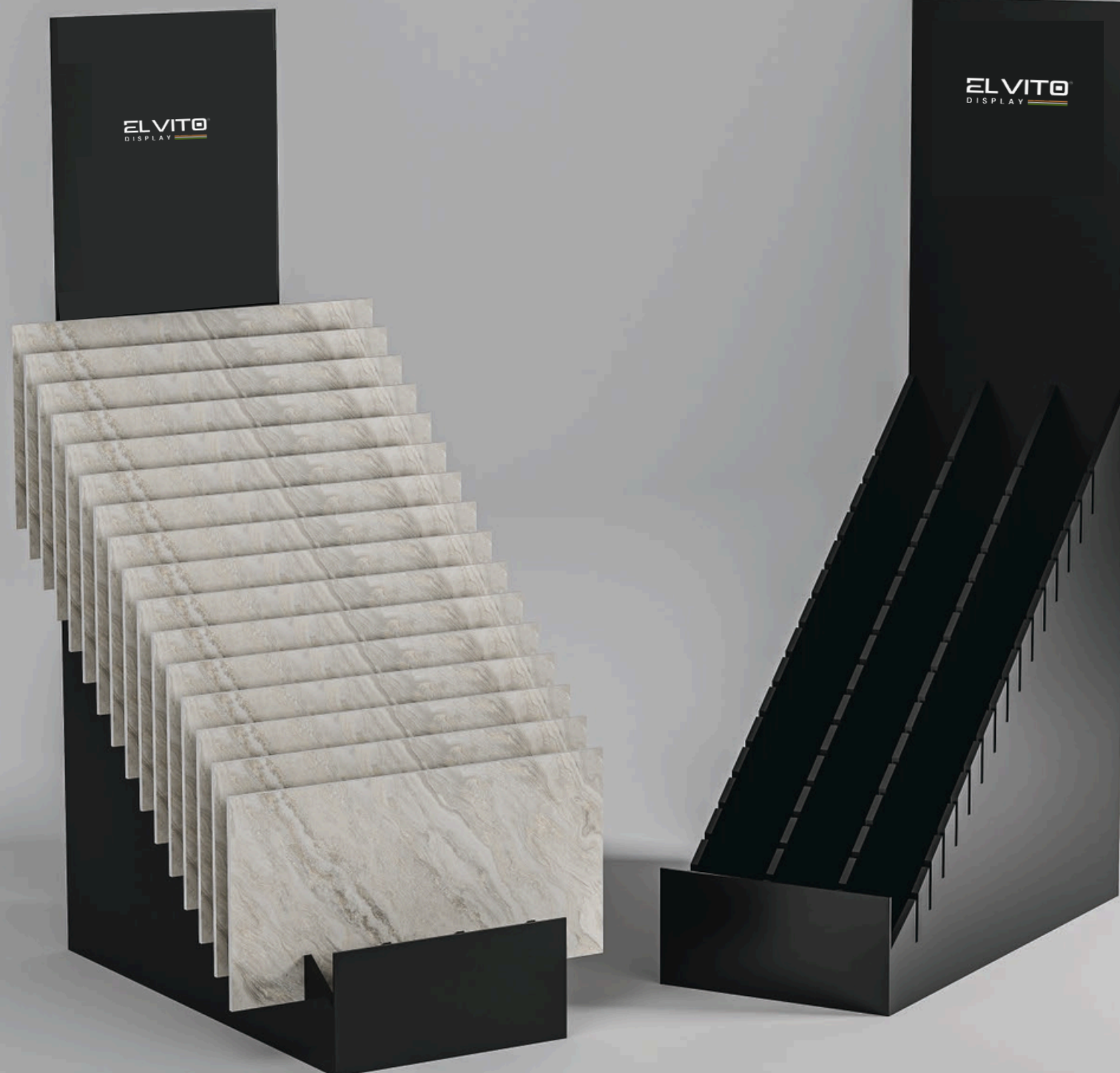
**MINIATURE
SERIES**

AVAILABLE COLORS



**MINIAURE
SERIES**

SDP 067



STAND SIZE
640X990X1810 (LWH)

TILES THICKNESS
09

NUMBER OF PANELS
01

NUMBER OF DISPLAY
10

SIZE OF TILES
300 X 600 MM

PRODUCT DETAILS

TYPE
MDF
MDF THICKNESS
12MM

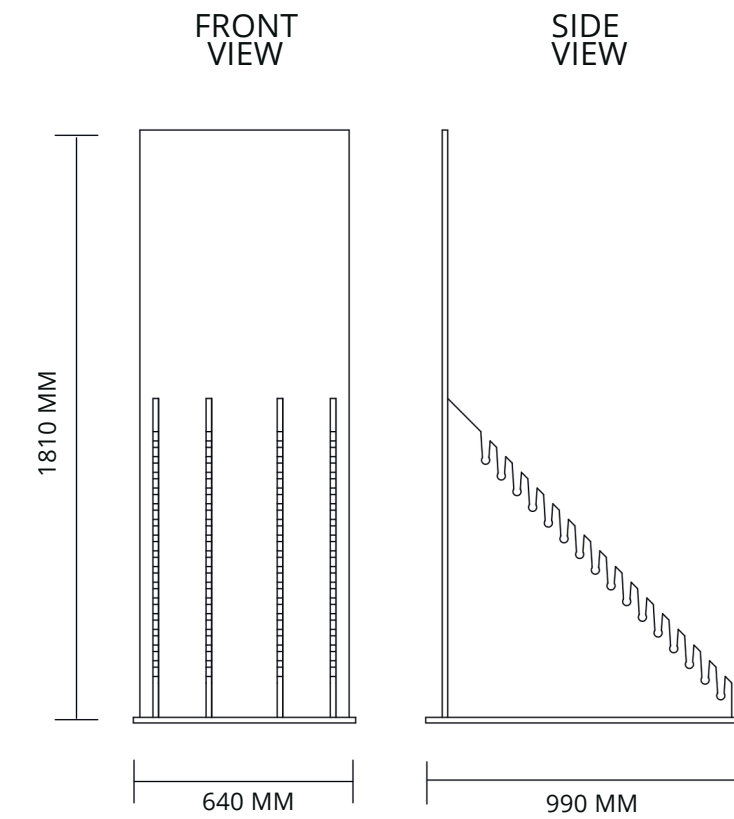
COATING
POWDER COATING

WEIGHT
9 KG (APPROX)

**MINIATURE
SERIES**



AVAILABLE COLORS



**MINIAURE
SERIES**

SDP 068



STAND SIZE
260X646X265 (LWH)

TILES THICKNESS
09

NUMBER OF PANELS
01

NUMBER OF DISPLAY
10

SIZE OF TILES
300X300MM, 400 X 400 MM

PRODUCT DETAILS

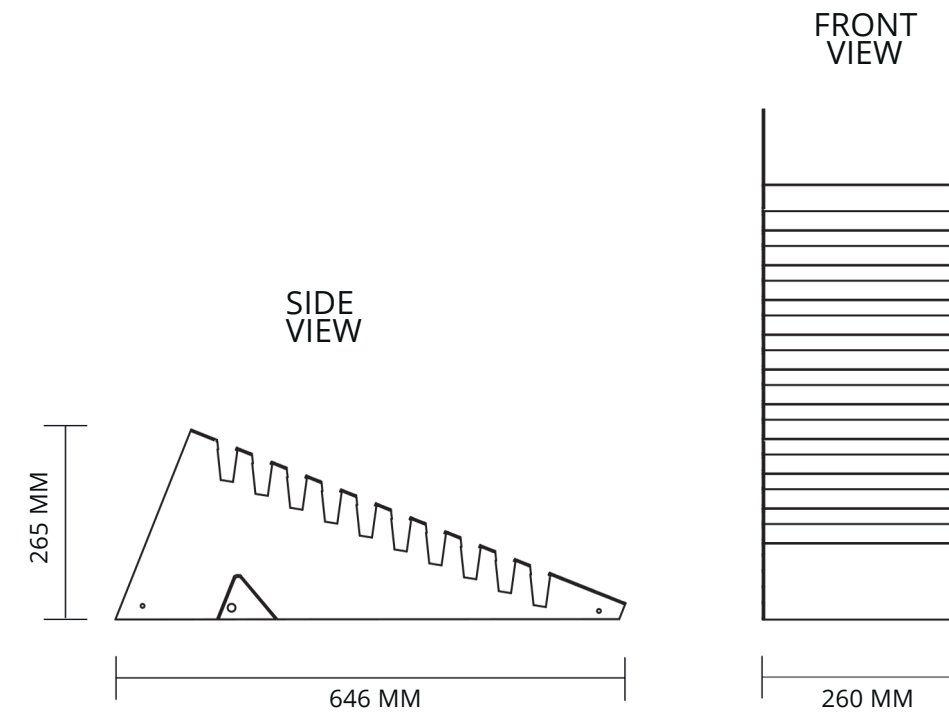
TYPE
MS
MDF THICKNESS
1.5 MM

COATING
POWDER COATING

WEIGHT
6 KG (APPROX)

**MINIATURE
SERIES**

AVAILABLE COLORS



**MINIAURE
SERIES**

SDP 069



STAND SIZE
510X560X445 (LWH)

TILES THICKNESS
09

NUMBER OF PANELS
01

NUMBER OF DISPLAY
10

SIZE OF TILES
600X600MM, 600 X 1200 MM

**PRODUCT
DETAILS**

TYPE
MS
MDF THICKNESS
1.5 MM

COATING
POWDER COATING

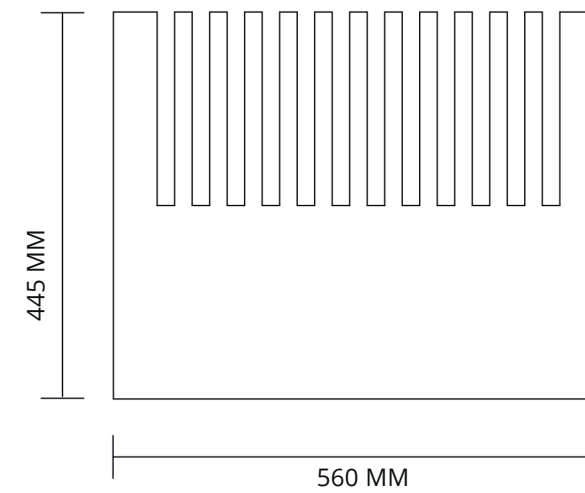
WEIGHT
12 KG (APPROX)

MINIATURE SERIES

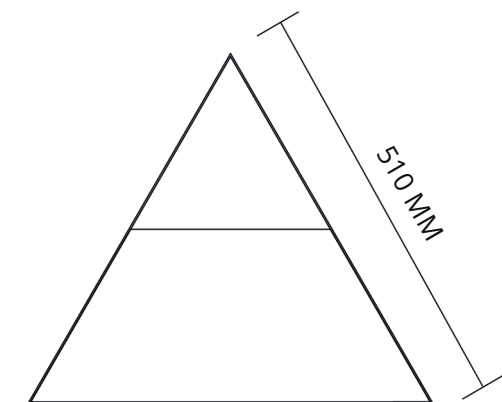
AVAILABLE COLORS



FRONT
VIEW

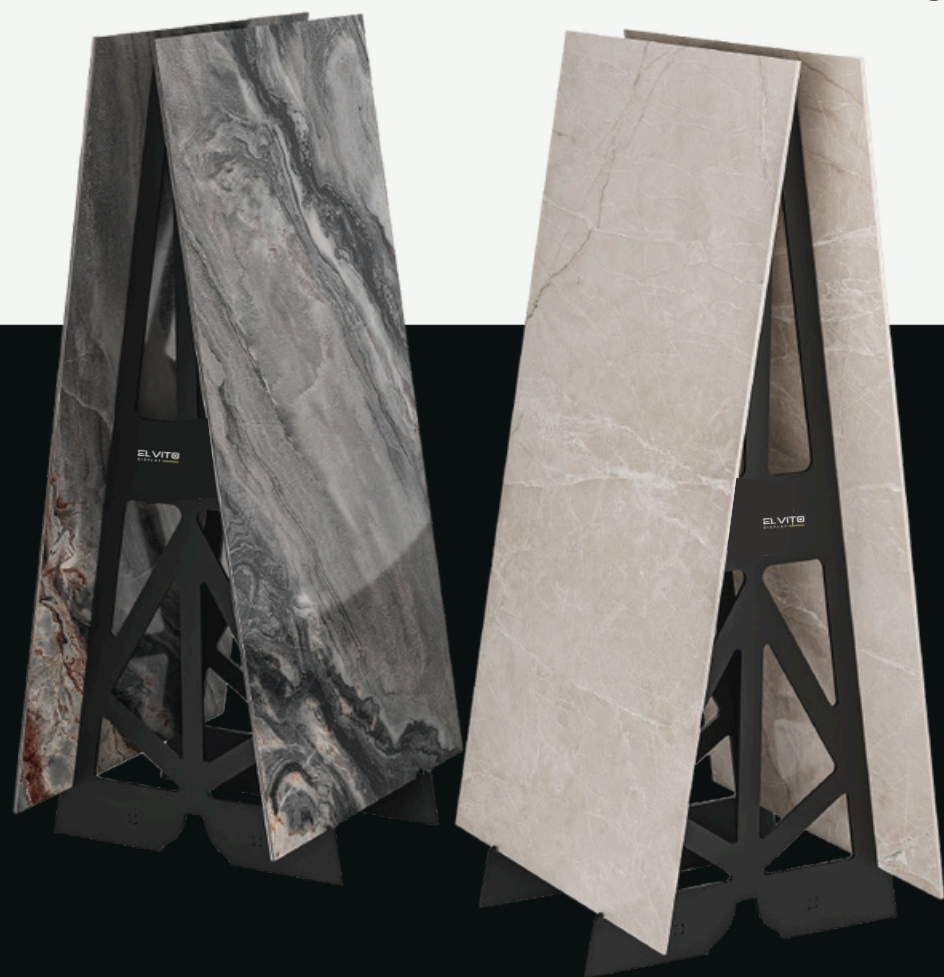


SIDE
VIEW



SMALL STAND

**COMPACT DISPLAY,
MAXIMUM IMPACT**



Small Stand Series by Super Display, a compact and versatile range of display stands designed for showcasing smaller products with efficiency and style. Perfect for limited spaces, showrooms, or exhibitions, these stands provide a sleek and organized platform for displaying tiles, samples, or other products in a neat and visually appealing way. The lightweight and space-saving design allows for easy setup and mobility, making them ideal for on-the-go presentations or smaller display areas. With customizable finishes and sturdy construction, the Small Stand Series combines practicality with professional presentation, ensuring that even your smallest products get the attention they deserve.

**SMALL
STAND
SERIES**

**SMALL STAND
SERIES**

SDP 070



STANDSIZE
679 X 306 X1188 (LWH)

TILEST THICKNESS
9 MM
NUMBER OF DISPLAY

17
SIZE OF TILES

300 X 300 MM, 400 X 400 MM

**PRODUCT
DETAILS**

TYPE
MS PIPE

OUTERBODYFRAME PIPE
20 X 20 X 1.2 MM

COATING
POWDER COATING

WEIGHT

8 KG (APPROX)

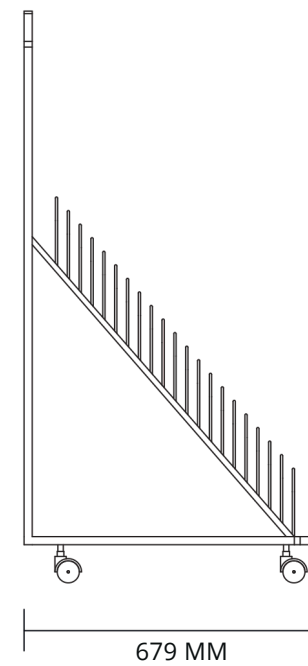
SMALL STAND SERIES



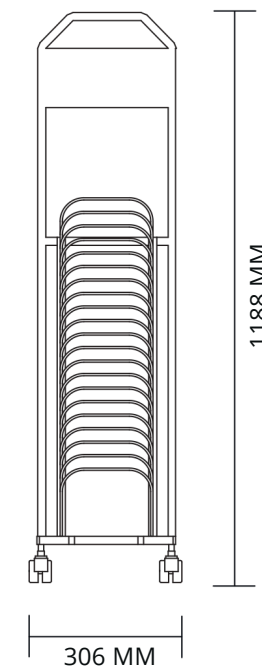
AVAILABLE COLORS



SIDE
VIEW

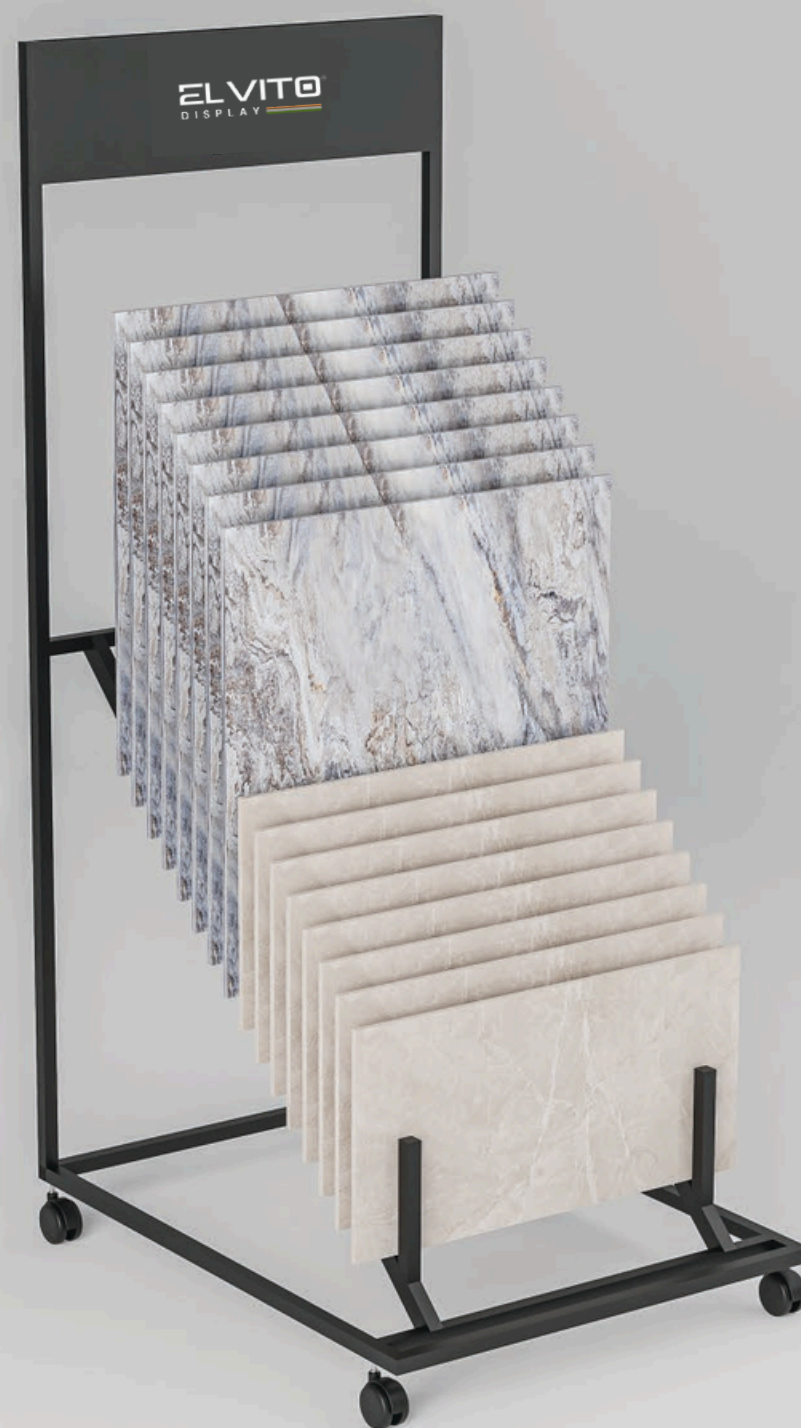


FRONT
VIEW



**SMALL STAND
SERIES**

SDP 071



STANDSIZE
830 X 650 X1520 (LWH)

TILEST THICKNESS
9 MM
NUMBER OF DISPLAY

17
SIZE OF TILES
300 X 300 MM, 600 X 600 MM

**PRODUCT
DETAILS**

TYPE
MS PIPE

OUTERBODYFRAME PIPE
20 X 20 X 1.2 MM
COATING
POWDER COATING
WEIGHT
15 KG (APPROX)

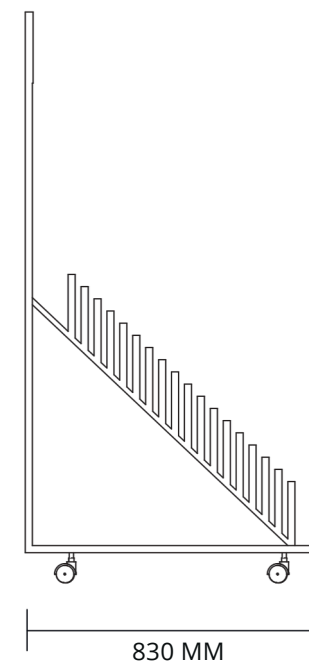
SMALL STAND SERIES



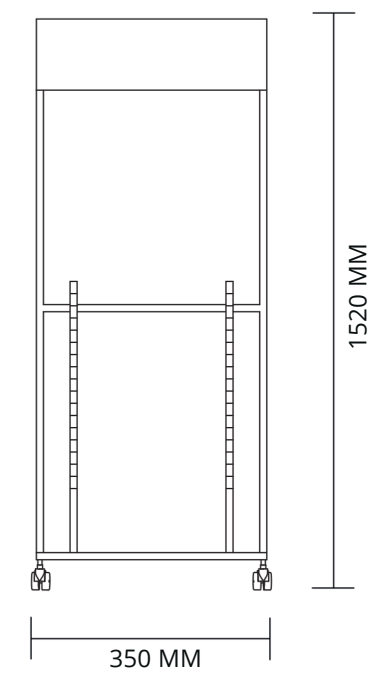
AVAILABLE COLORS



SIDE
VIEW



FRONT
VIEW



**SMALL STAND
SERIES**

SDP 072



STANDSIZE
675 X 610 X 2020 (LWH)

TILEST THICKNESS
9 MM

NUMBER OF DISPLAY

40

SIZE OF TILES

600 X 600 MM, 600 X 1200 MM

PRODUCT
DETAILS

TYPE
MS PIPE

OUTERBODYFRAME PIPE
20 X 20 X 1.2 MM

COATING

POWDER COATING

WEIGHT

30 KG (APPROX)

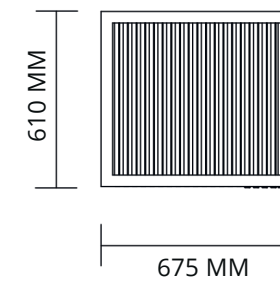
SMALL STAND SERIES



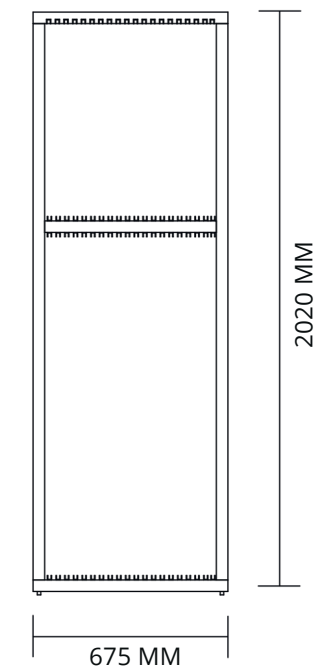
AVAILABLE COLORS



TOP
VIEW



SIDE
VIEW



**SMALL STAND
SERIES**

SDP 073



STANDSIZE
1300 X 600X1520 (LWH)

TILEST THICKNESS
9 MM
NUMBER OF PANELS
1
NUMBER OF DISPLAY
2
SIZE OF TILES

**PRODUCT
DETAILS**

TYPE
MS PIPE

OUTERBODYFRAME PIPE
50 X 50 X 1.2 MM
COATING
POWDER COATING
WEIGHT
15 KG (APPROX)

SMALL STAND SERIES

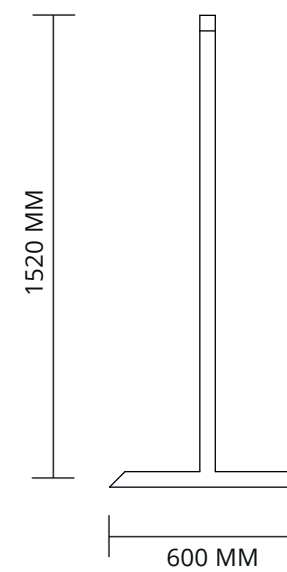
**600 X 1200 MM, 800 X 1600 MM, 1200X 1800 MM,
1200 X 2400 MM**



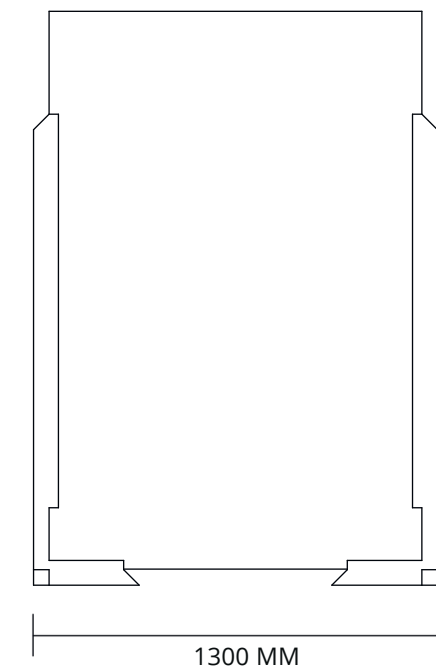
AVAILABLE COLORS



SIDE
VIEW



FRONT
VIEW



**SMALL STAND
SERIES**

SDP 074



STANDSIZE
1260 X 75 X3425 (LWH)

TILEST THICKNESS
9 MM
NUMBER OF PANELS
1
NUMBER OF DISPLAY
2
SIZE OF TILES

**PRODUCT
DETAILS**

TYPE
MS PIPE

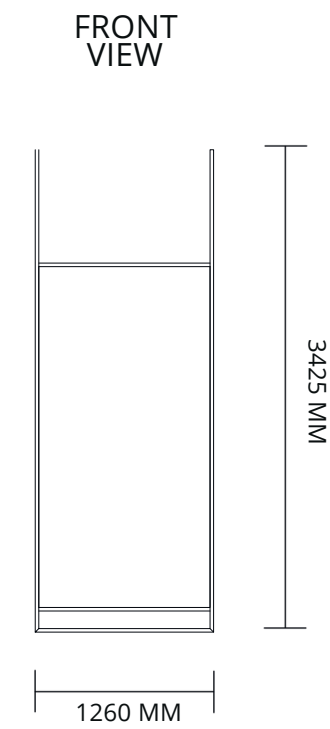
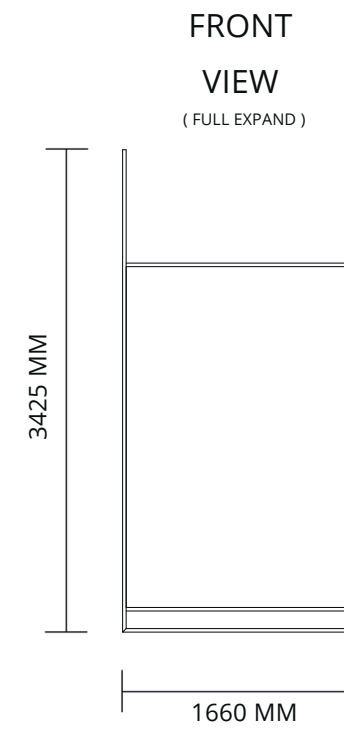
OUTERBODYFRAME PIPE
75 X 25 X 1.2 MM
COATING
POWDER COATING
WEIGHT
70 KG (APPROX)

SMALL STAND SERIES

**600 X 1200 MM, 800 X 1600 MM, 1200X 1800 MM,
1200 X 2400 MM**



AVAILABLE COLORS





STANDSIZE
780 X 700X1650 (LWH)

TILEST THICKNESS
9 MM
NUMBER OF PANELS
1
NUMBER OF DISPLAY
2
SIZE OF TILES

**800 X 1600 MM, 1200X 1800 MM,
1200 X 2400 MM**

**PRODUCT
DETAILS**

TYPE
MS PIPE

MS PLATE
2 MM
COATING
POWDER COATING
WEIGHT
30 KG (APPROX)

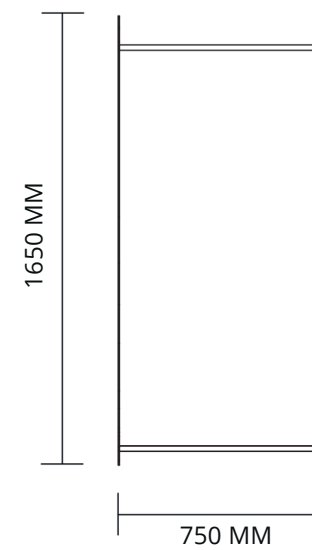
**SMALL STAND
SERIES**



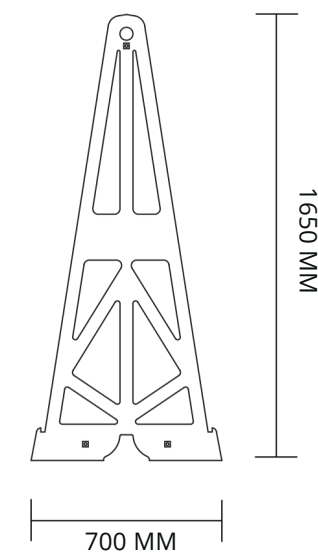
AVAILABLE COLORS



FRONT
VIEW



SIDE
VIEW





**SMALL STAND
SERIES**

SDP 076



STANDSIZE
950 X 950 X2150 (LWH)

TILEST THICKNESS
9 MM
NUMBER OF PANELS
1
NUMBER OF DISPLAY

24
SIZE OF TILES
600 X 600 MM

**PRODUCT
DETAILS**

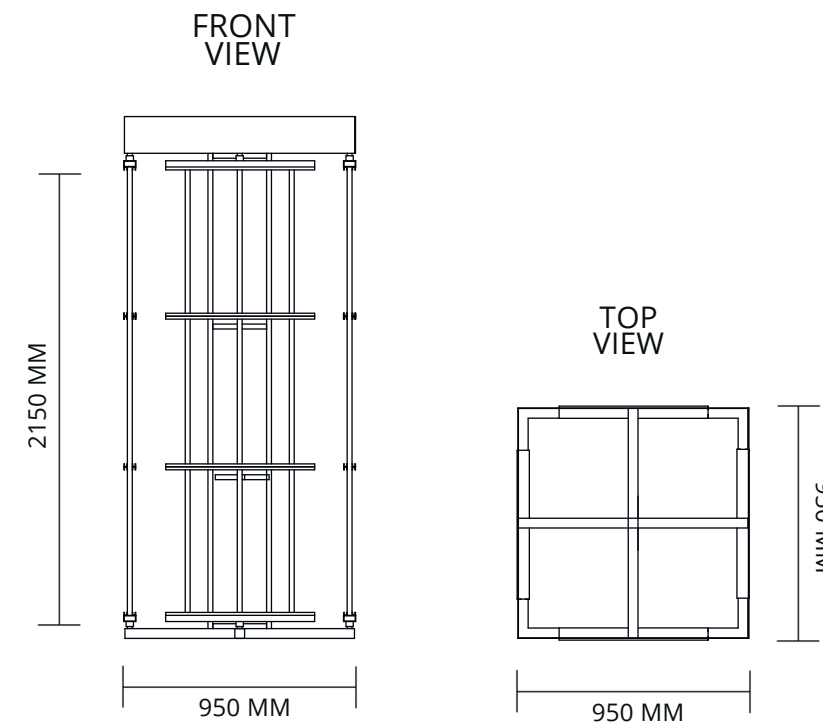
TYPE
MS PIPE

OUTERBODYFRAME PIPE
20 X 20 X 1.2 MM
COATING
POWDER COATING
WEIGHT
30 KG (APPROX)

SMALL STAND SERIES



AVAILABLE COLORS



**SMALL STAND
SERIES**

SDP 077



STANDSIZE
740 X 590 X940 (LWH)

TILEST THICKNESS
9 MM
NUMBER OF PANELS
1
NUMBER OF DISPLAY

15
SIZE OF TILES
600 X 1200 MM

**PRODUCT
DETAILS**

TYPE
MS PIPE

OUTERBODYFRAME PIPE
50 X 50 X 1.2 MM
COATING
POWDER COATING
WEIGHT
13 KG (APPROX)

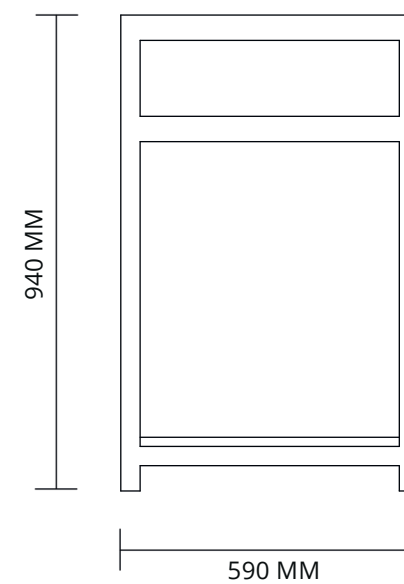
SMALL STAND SERIES



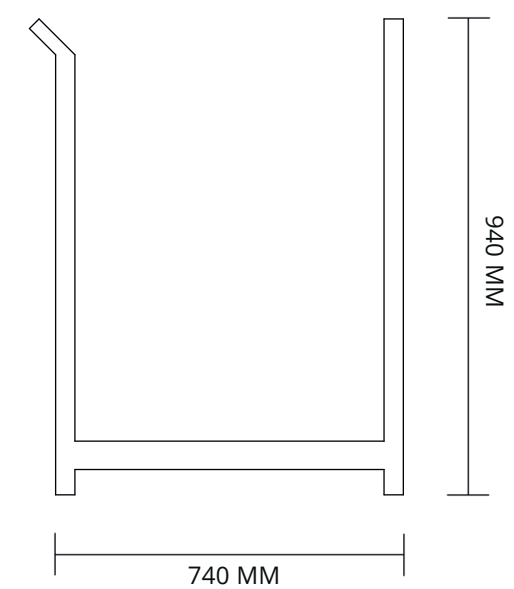
AVAILABLE COLORS



SIDE
VIEW



FRONT
VIEW



**SMALL STAND
SERIES**

SDP 078



ELVITO
DISPLAY

STANDSIZE
780 X 420 X 2180 (LWH)

TILEST THICKNESS
9 MM
NUMBER OF PANELS
1
NUMBER OF DISPLAY
2
SIZE OF TILES

**PRODUCT
DETAILS**

TYPE
MS PIPE

OUTERBODYFRAME PIPE
40 X 40 X 1.2 MM
COATING
POWDER COATING
WEIGHT
15 KG (APPROX)

SMALL STAND SERIES

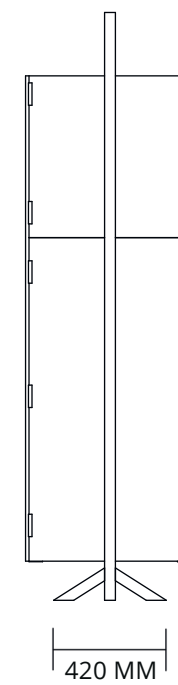
600 X 600 MM, 600 X 1200 MM



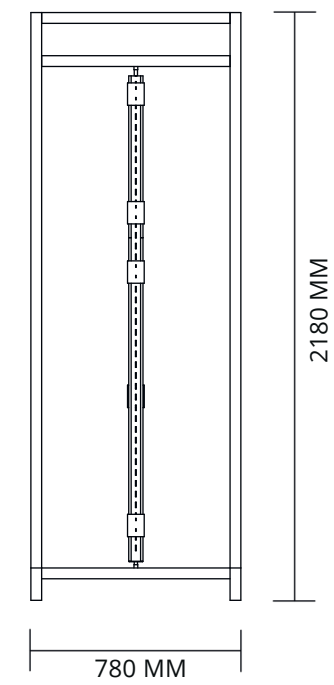
AVAILABLE COLORS



SIDE
VIEW



FRONT
VIEW



**SMALL STAND
SERIES**

SDP 079



STANDSIZE
3000 X 50 X2410 (LWH)

TILEST THICKNESS
9 MM
NUMBER OF PANELS
1
NUMBER OF DISPLAY
2
SIZE OF TILES

600 X 600 MM, 600 X 1200 MM

**PRODUCT
DETAILS**

TYPE
MS PIPE

OUTERBODYFRAME PIPE
32 X 32 X 1.2 MM
COATING
POWDER COATING
WEIGHT
15 KG (APPROX)

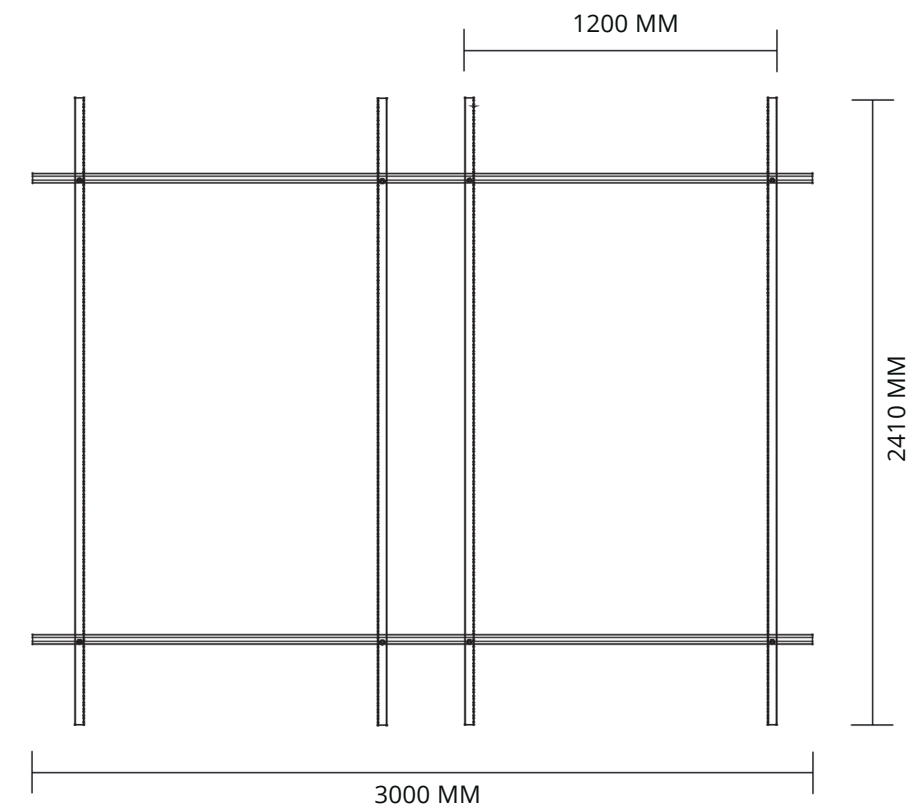
SMALL STAND SERIES



AVAILABLE COLORS



FRONT
VIEW



**SMALL STAND
SERIES**

SDP 080



STANDSIZE
1240 X 555X2795 (LWH)

TILEST THICKNESS
9 MM
NUMBER OF PANELS
1
NUMBER OF DISPLAY
2
SIZE OF TILES

**PRODUCT
DETAILS**

TYPE
MS
OUTERBODYFRAME PIPE
32 X 32 X 1.2 MM
COATING
POWDER COATING
WEIGHT
40 KG (APPROX)

SMALL STAND SERIES

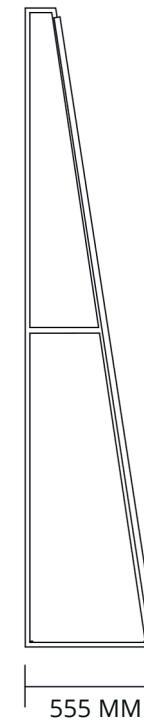
**600 X 600 MM, 600 X 1200 MM, 800 X 1600 MM,
1200 X 1800 MM, 1200 X 2400 MM**



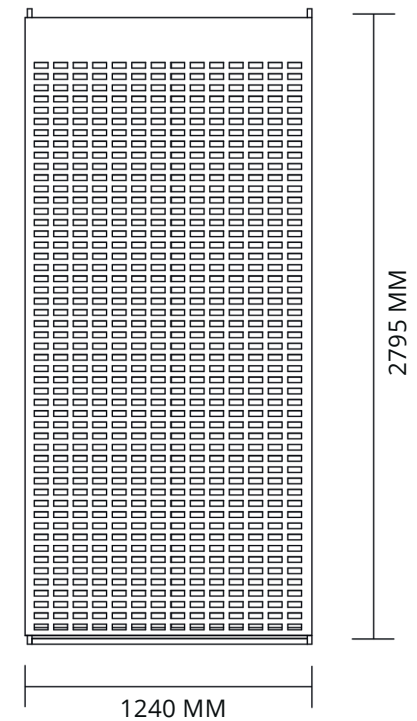
AVAILABLE COLORS



SIDE
VIEW

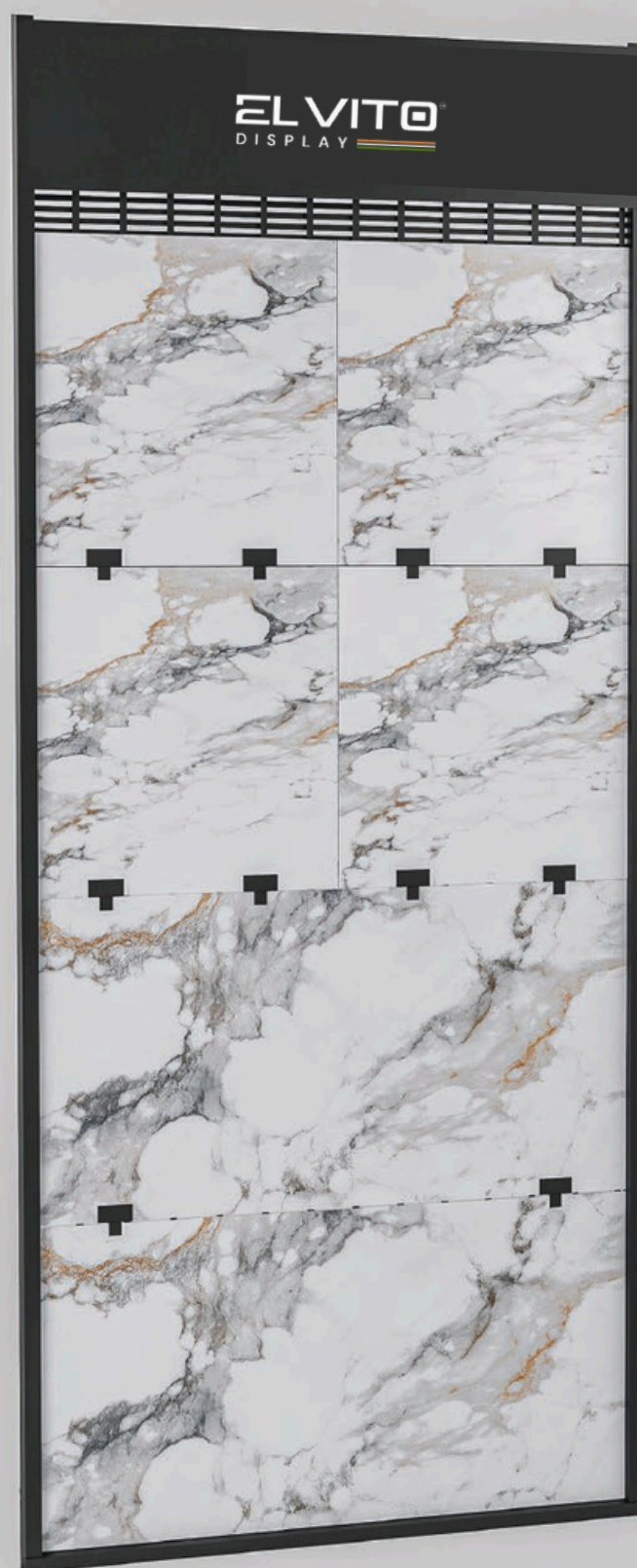


FRONT
VIEW



SMALL STAND
SERIES

SDP 081



STANDSIZE
1250 X 25 X2750 (LWH)

TILEST THICKNESS
9 MM
NUMBER OF PANELS
1
NUMBER OF DISPLAY
1
SIZE OF TILES

**PRODUCT
DETAILS**

TYPE
MS

MSPLATE
2 MM
COATING
POWDER COATING
WEIGHT
35 KG (APPROX)

SMALL STAND SERIES

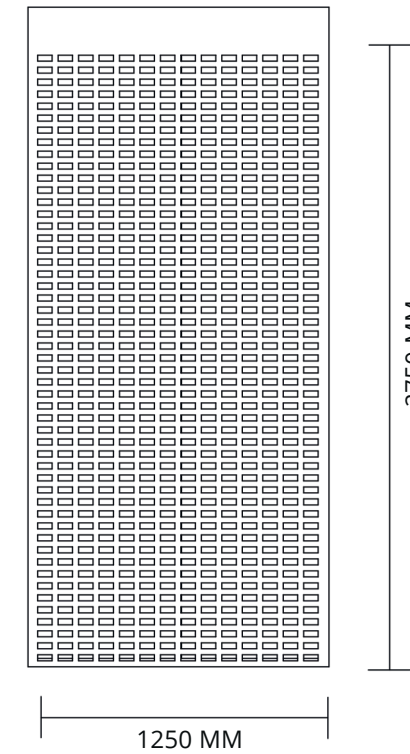
**600 X 600 MM, 600 X 1200 MM, 800 X 1600 MM,
1200 X 1800 MM, 1200 X 2400 MM**



AVAILABLE COLORS



FRONT
VIEW



**SMALL STAND
SERIES**

SDP 082



STANDSIZE
1320 X 1320X 2540 (LWH)

TILEST THICKNESS
9 MM
NUMBER OF PANELS
1
NUMBER OF DISPLAY
2
SIZE OF TILES

**PRODUCT
DETAILS**

TYPE
MS
OUTERBODYFRAME PIPE
50 X 50 X 1.2 MM
COATING
POWDER COATING
WEIGHT
70 KG (APPROX)

SMALL STAND SERIES

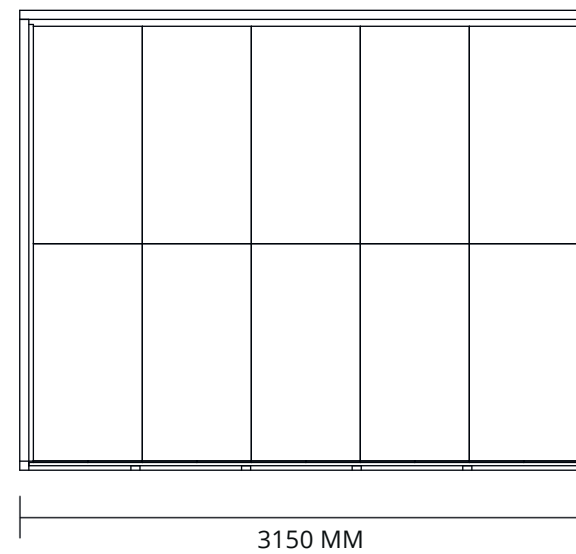
**300 X 300 MM, 400 X 400 MM, 300 X 600 MM, 600 X 600 MM
600 X 1200 MM, 1200 X 1200 MM, 1200 X 2400 MM (AS PER REQ.)**



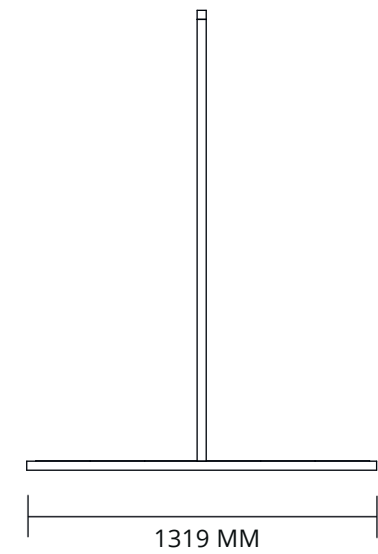
AVAILABLE COLORS



FRONT
VIEW

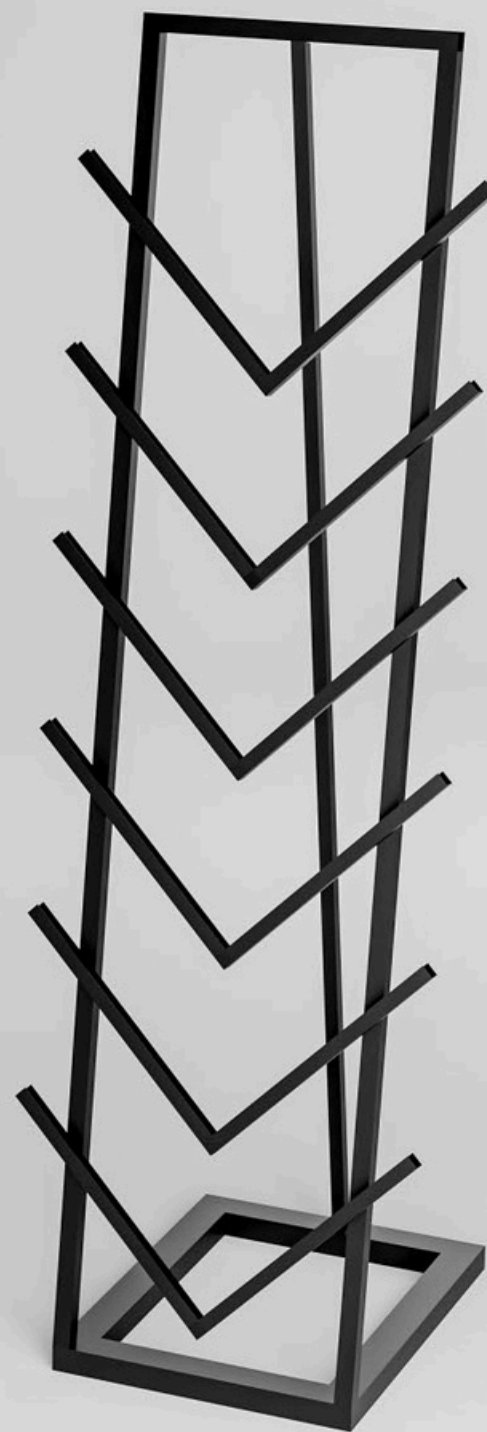
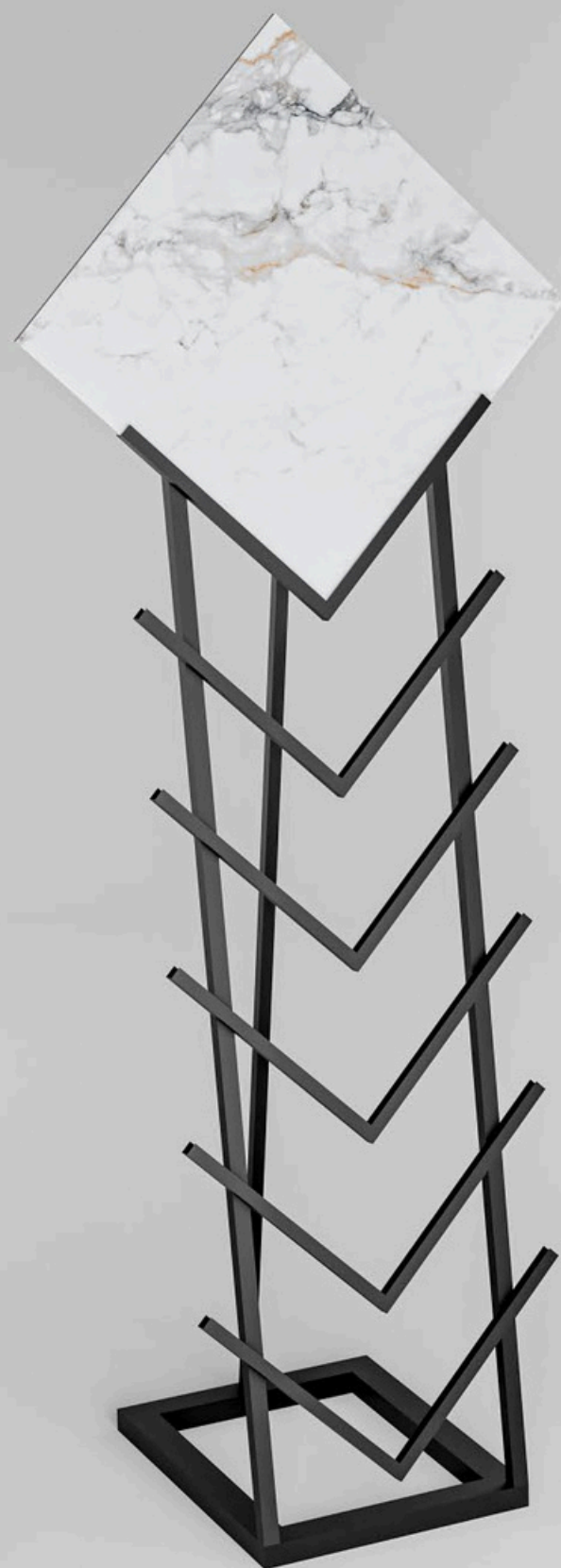


SIDE
VIEW



**SMALL STAND
SERIES**

SDP 083



STANDSIZE
22 X 17 X 71(LWH)

TILEST THICKNESS
9 MM
NUMBER OF PANELS
6
NUMBER OF DISPLAY
6
SIZE OF TILES

**PRODUCT
DETAILS**

TYPE
MS
OUTERBODYFRAME PIPE
50 X 50 X 1.2 MM
COATING
POWDER COATING
WEIGHT
6 KG (APPROX)

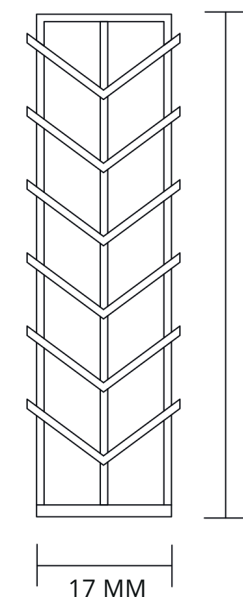
SMALL STAND SERIES



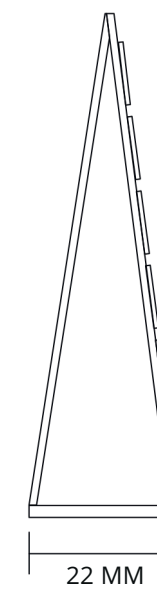
AVAILABLE COLORS



FRONT
VIEW



SIDE
VIEW



COMMERCIAL RACK



**COMPACT DISPLAY,
MAXIMUM IMPACT**

Commercial Rack Series by ELVITO Display, a heavy-duty and efficient solution for organizing and displaying Commercial bottles in commercial and industrial environments. Built to accommodate a wide variety of Commercial containers, these racks are designed for maximum durability and safety, ensuring that bottles are securely stored and easily accessible. Ideal for laboratories, warehouses, and retail outlets, the sturdy construction supports heavy loads while maintaining an organized and clean layout. With customizable shelving options and corrosion-resistant finishes, the Commercial Rack Series offers a professional and practical solution for Z storage and display, ensuring both safety and convenience.

**COMMERCIAL
RACK
SERIES**

**COMMERCIAL RACK
SERIES**

SDP 084



STANDSIZE
640 X 430 X1800 (LWH)
NUMBER OF PANELS
1

**PRODUCT
DETAILS**

TYPE
MS
OUTERBODYFRAME PIPE
25 X 25 X 1.2 MM
COATING
POWDER COATING
WEIGHT
20 KG (APPROX)

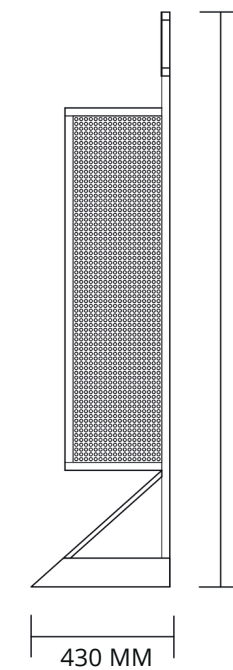
COMMERCIAL RACK SERIES



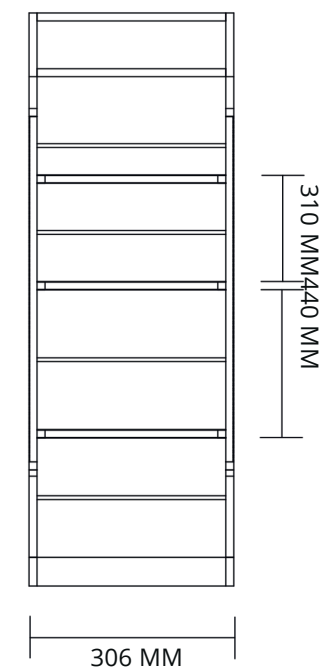
AVAILABLE COLORS



SIDE
VIEW



FRONT
VIEW



COMMERCIAL RACK SERIES

SDP 085



STANDSIZE
890 X 450 X1810 (LWH)
NUMBER OF PANELS
1

**PRODUCT
DETAILS**

TYPE
MS

MS PLATE
1.2 MM
COATING
POWDER COATING
WEIGHT
30 KG (APPROX)

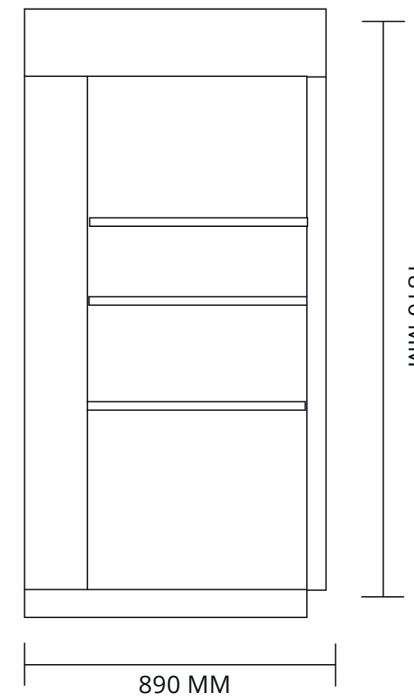
COMMERCIAL RACK SERIES



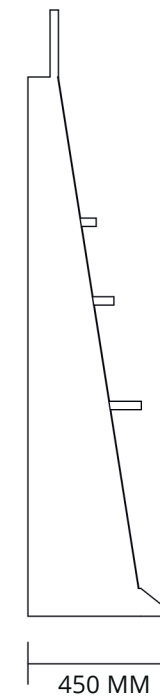
AVAILABLE COLORS



FRONT
VIEW



SIDE
VIEW



**COMMERCIAL RACK
SERIES**

SDP 086



STANDSIZE
665 X 350 X 2150 (LWH)
NUMBER OF PANELS
1

**PRODUCT
DETAILS**

TYPE
MS
OUTERBODYFRAME PIPE
25 X 25 X 1.2 MM
COATING
POWDER COATING
WEIGHT
20 KG (APPROX)

COMMERCIAL RACK SERIES



AVAILABLE COLORS

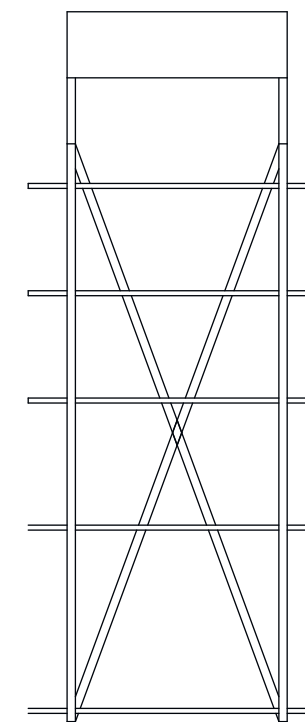


SIDE
VIEW



350 MM

FRONT
VIEW



665 MM

2150 MM

ELVITO
DISPLAY



**COMMERCIAL RACK
SERIES**

SDP 087

STANDSIZE
640 X 430 X1800 (LWH)
NUMBER OF PANELS
1

**PRODUCT
DETAILS**

TYPE
MS
OUTERBODYFRAME PIPE
25 X 25 X 1.2 MM
COATING
POWDER COATING
WEIGHT
20 KG (APPROX)

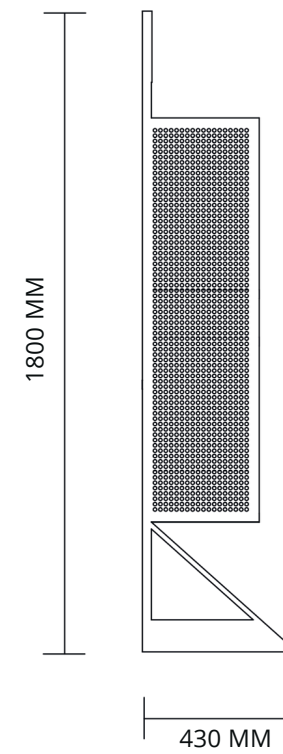
**COMMERCIAL RACK
SERIES**



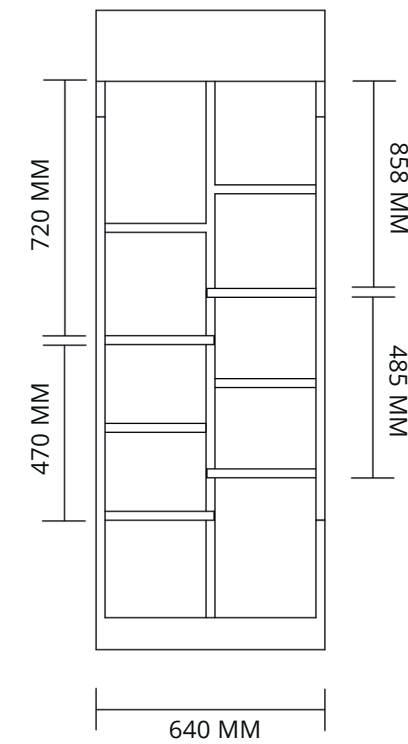
AVAILABLE COLORS



SIDE
VIEW



FRONT
VIEW



ELVITO®
D I S P L A Y 

Contact : 9099332569

Email : dharam@elvitoceramic.com

Website : www.elvitoceramic.com

Address : Plot no. - 1, survey no. - 184,
Satnam industrial estate, At - pipali,
MORBI - 363642 GUJARAT (INDIA)